

 **BOEING**
COMPONENT
MAINTENANCE MANUAL

TO: ALL HOLDERS OF CENTER STOWAGE SUPPORT ROD ASSEMBLY COMPONENT MAINTENANCE
MANUAL 25-28-03

REVISION NO. 6 DATED JUL 01/02

HIGHLIGHTS

Pages which have been added or revised are outlined below together with the highlights of the revision. Remove and insert the affected pages as listed and enter Revision No. and date on the Record of Revision Sheet.

CHAPTER/SECTION

AND PAGE NO.

DESCRIPTION OF CHANGE

TITLE PAGE

Added support rod assemblies 412T2052-54 thru -58.

1

1002-1019,1021-1035,
1037-1055,1057-1058,
1061-1062

TITLE PAGE

Deleted support rod assemblies 412T2052-17,
412T3210-46, -49, and -61.

1

REPAIR 1-1

603-604

1002-1019,1021-1035,
1037-1055,1057-1058,
1061-1062

REPAIR-GEN

Edited with no technical change.

601

REPAIR 1-1

601-602

25-28-03

HIGHLIGHTS

01.1

Page 1

Jul 01/02

CENTER STOWAGE SUPPORT ROD ASSEMBLY

PART NUMBERS 412T2052-5,-7 THRU -13,
-18 THRU -24,-26 THRU -44,
-46,-48 THRU -58
412T3210-1,-3 THRU -6,-9,-10,
-14 THRU -17,-23 THRU -27,
-30 THRU -41,-43,-45,-47,
-48,-50,-51,-53 THRU -55,
-57 THRU -60,-63 THRU -66,
-68 THRU -75,-77 THRU -80,
-82 THRU -84
412T3212-1 THRU -4,-14,
-18 THRU -20

COMPONENT MAINTENANCE MANUAL
WITH
ILLUSTRATED PARTS LIST

25-28-03

TITLE PAGE

Page 1

Jul 01/02

01.1

REVISION RECORD

- Retain this record in front of manual. On receipt of revision, insert revised pages in the manual, and enter revision number, date inserted and initial.

REVISION NUMBER	REVISION DATE	DATE FILED	BY	REVISION NUMBER	REVISION DATE	DATE FILED	BY

TEMPORARY REVISION AND SERVICE BULLETIN RECORD

BOEING SERVICE BULLETIN	BOEING TEMPORARY REVISION	OTHER DIRECTIVE	DATE OF INCORPORATION INTO MANUAL
767-25-0175		PRR B11750-8 PRR C12069-3 PRR C12072-3 PRR B12140-6 MC 2530MP6071 PRR B12024 PRR B12140-63	JAN 01/90 JAN 01/90 JAN 01/90 JUN 01/95 JUN 01/95 JUN 01/95 JUN 01/95 JUN 01/95

25-28-03

TR & SB RECORD

01.1

Page 1

Jun 01/95

PAGE	DATE	CODE	PAGE	DATE	CODE
25-28-03			REPAIR 1-1		CONT.
			*604	JUL 01/02	01.1
TITLE PAGE			ILLUSTRATED PARTS LIST		
*1	JUL 01/02	01.1	1001	JAN 01/90	01.101
2	BLANK		*1002	JUL 01/02	01.1
REVISION RECORD			*1003	JUL 01/02	01.1
1	JAN 01/90	01.101	*1004	JUL 01/02	01.1
2	BLANK		*1005	JUL 01/02	01.1
TR & SB RECORD			*1006	JUL 01/02	01.1
1	JUN 01/95	01.1	*1007	JUL 01/02	01.1
2	BLANK		*1008	JUL 01/02	01.1
LIST OF EFFECTIVE PAGES			*1009	JUL 01/02	01.1
*1	JUL 01/02	01	*1010	JUL 01/02	01.1
THRU LAST PAGE			*1011	JUL 01/02	01.1
CONTENTS			*1012	JUL 01/02	01.1
1	JAN 01/90	01.1	*1013	JUL 01/02	01.1
2	BLANK		*1014	JUL 01/02	01.1
INTRODUCTION			*1015	JUL 01/02	01.1
1	JAN 01/90	01.101	*1016	JUL 01/02	01.1
2	BLANK		*1017	JUL 01/02	01.1
DESCRIPTION & OPERATION			*1018	JUL 01/02	01.1
1	JUL 01/00	01.1	*1019	JUL 01/02	01.1
2	BLANK		*1020	JUL 01/02	01.1
CHECK			*1021	JUL 01/02	01.1
501	JUL 01/00	01.1	*1022	JUL 01/02	01.1
502	BLANK		*1023	JUL 01/02	01.1
REPAIR-GENERAL			*1024	JUL 01/02	01.1
*601	JUL 01/02	01.1	*1025	JUL 01/02	01.1
602	BLANK		*1026	JUL 01/02	01.1
REPAIR 1-1			*1027	JUL 01/02	01.1
*601	JUL 01/02	01.1	*1028	JUL 01/02	01.1
*602	JUL 01/02	01.1	*1029	JUL 01/02	01.1
*603	JUL 01/02	01.1	*1030	JUL 01/02	01.1
			*1031	JUL 01/02	01.1
			*1032	JUL 01/02	01.1
			*1033	JUL 01/02	01.1
			*1034	JUL 01/02	01.1
			*1035	JUL 01/02	01.1
			*1036	JUL 01/02	01.1
			*1037	JUL 01/02	01.1
			*1038	JUL 01/02	01.1
			*1039	JUL 01/02	01.1

* = REVISED, ADDED OR DELETED

25-28-03

EFFECTIVE PAGES
CONTINUED Page 1
01 Jul 01/02

PAGE	DATE	CODE	PAGE	DATE	CODE
ILLUSTRATED PARTS LIST		CONT.			
*1040	JUL 01/02	01.1			
*1041	JUL 01/02	01.1			
*1042	JUL 01/02	01.1			
*1043	JUL 01/02	01.1			
*1044	JUL 01/02	01.1			
*1045	JUL 01/02	01.1			
*1046	JUL 01/02	01.1			
*1047	JUL 01/02	01.1			
*1048	JUL 01/02	01.1			
*1049	JUL 01/02	01.1			
*1050	JUL 01/02	01.1			
*1051	JUL 01/02	01.1			
*1052	JUL 01/02	01.1			
*1053	JUL 01/02	01.1			
*1054	JUL 01/02	01.1			
*1055	JUL 01/02	01.1			
*1056	JUL 01/02	01.1			
*1057	JUL 01/02	01.1			
*1058	JUL 01/02	01.1			
1059	BLANK				
*1060	JUL 01/02	01.1			
*1061	JUL 01/02	01.1			
*1062	JUL 01/02	01.1			

* = REVISED, ADDED OR DELETED

25-28-03

EFFECTIVE PAGES
 LAST PAGE Page 2
 01 Jul 01/02

TABLE OF CONTENTS

<u>Paragraph Title</u>	<u>Page</u>
Description and Operation	1
Testing and Trouble Shooting (not applicable)	
Disassembly*[1]
Cleaning.*[1]
Check	501
Repair.	601
Assembly.*[1]
Fits and Clearances*[1]
Special Tools (not applicable)	
Illustrated Parts List.	1001

*[1] Special instructions not required. Use standard industry practices.

INTRODUCTION

The instructions in this manual provide the information necessary to perform maintenance functions ranging from simple checks and replacement to complete shop-type repair.

This manual is divided into separate sections:

- | | |
|--|------------------------------|
| 1. Title Page | 4. List of Effective Pages |
| 2. Record of Revisions | 5. Table of Contents |
| 3. Temporary Revision &
Service Bulletin Record | 6. Introduction |
| | 7. Procedures & IPL Sections |

Refer to the Table of Contents for the page location of applicable sections. An asterisked flagnote *[] in place of the page number indicates that no special instructions are provided since the function can be performed using standard industry practices.

The beginning of the REPAIR section includes a list of the separate repairs, a list of applicable standard Boeing practices, and an explanation of the True Position Dimensioning symbols used.

An explanation of the use of the Illustrated Parts List is provided in the Introduction to that section.

All weights and measurements used in the manual are in English units, unless otherwise stated. When metric equivalents are given they will be in parentheses following the English units.

Design changes, optional parts, configuration differences and Service Bulletin modifications create alternate part numbers. These are identified in the Illustrated Parts List (IPL) by adding an alphabetical character to the basic item number. The resulting item number is called an alpha-variant. Throughout the manual, IPL basic item number references also apply to alpha-variants unless otherwise indicated.

25-28-03

INTRODUCTION

01.101

Page 1

Jan 01/90

CENTER STOWAGE SUPPORT ROD ASSEMBLY

DESCRIPTION AND OPERATION

1. The center stowage support rod assemblies consist of tubular rods, end assemblies, and moisture collectors. Assemblies are located between the airplane frame and the overhead stowage assemblies to support and prevent moisture drippage to stowage bin assemblies.

NOTE: Rod assemblies 412T3210051, -72 and -73 do not have moisture collectors.

25-28-03

DESCRIPTION & OPERATION

01.1

Page 1

Jul 01/00

CHECK

1. Check all parts for obvious defects in accordance with standard industry practices.
2. Penetrant check per 20-20-02 -- Tube (65, 70, IPL Fig. 1; 30, IPL Fig. 3); rod assembly (50, 51, IPL Fig. 2); end (15, 25, 40, 50, IPL Fig. 1).
3. Magnetic particle check per 20-20-01, Class C - Clevis (25, IPL Fig. 2); insert (45, IPL Fig. 4).

25-28-03

CHECK

01.1

Page 501

Jul 01/00

REPAIR – GENERAL

1. Content

A. Repair, refinish and replacement procedures are included in separate repair sections as follows:

<u>P/N</u>	<u>NAME</u>	<u>REPAIR</u>
412N2052(-)	ROD ASSY	1-1
412T3210(-)	ROD ASSY	1-1
412T3212(-)	ROD ASSY	1-1

2. Standard Practices

A. Refer to the following standard practices as applicable, for details of procedures in individual repairs.

- 20-30-02 Stripping of Protective Finishes
- 20-30-03 Solvent Cleaning
- 20-41-01 Decoding Table for Boeing Finish Codes
- 20-41-04 Application of Interior Decorative Finishes
- 20-42-05 Bright Cadmium Plating
- 20-43-01 Chromic Acid Anodize
- 20-50-10 Application of stencils, insignia, silk screen, part numbering and identification markings
- 20-50-12 Application of Adhesives
- 20-60-02 Finishing Materials
- 20-60-03 Lubricants

3. Materials

NOTE: Equivalent substitutes may be used.

- A. Primer -- BMS 10-11, Type 1 (Ref 20-60-02)
- B. Adhesive -- Type 48 (Ref 20-50-12)
- C. Enamel -- BMS 10-83, Type 2 (Ref 20-60-02)
- D. Compound -- MIL-C-16173, Corrosion preventive (Ref 20-60-03)

25-28-03

REPAIR-GENERAL

01.1

Page 601

Jul 01/02

ROD ASSEMBLY – REPAIR 1-1

412T2052, 412T3210, 412T3212

NOTE: Refer to REPAIR-GEN for list of applicable standard practices. For repair of surfaces which may only require stripping and restoration of original finish, refer to Refinish instructions.

1. Rod End Replacement

- A. Loosen nuts (9, 10, IPL Fig. 1; 5, 35, IPL Fig. 2; 5, 15, IPL Fig. 3; 5, 15, IPL Fig. 4). Unscrew rod end (25, 30, 35D, 50, 55, IPL Fig. 1; 10D, 40A, IPL Fig. 2; 10A, 20A, IPL Fig. 3; 10, 20, IPL Fig. 4) or clevis assembly (15, IPL Fig. 2) from tube (65, 85, IPL Fig. 1; 70, 71, IPL Fig. 2; 30, IPL Fig. 3; 50, IPL Fig. 4). Remove nuts from rod ends.
- B. Reinstall the parts and adjust the nuts to the dimensions shown in Fig. 601. Assemble the threaded fittings with MIL-C-16173 corrosion preventive compound and hand tighten the nuts. Make sure the rod ends are threaded equally on each end of the rod.

NOTE: Do not apply a final torque. The final adjustment of the rod assembly will be done during installation into the airplane.

2. Moisture Collector Replacement

- A. Remove moisture collector (60, IPL Fig. 1; 45, IPL Fig. 2; 25, IPL Fig. 3).
- B. Clean surface as specified in SOPM 20-30-03.
- C. Install moisture collector (60, IPL Fig. 1; 45, IPL Fig. 2; 25, IPL Fig. 3) to dimension shown in Fig. 601.
- D. Bond with Type 48 adhesive as specified in SOPM 20-50-12.

3. Refinish

- A. Tube (65, IPL Fig. 1) -- Chemically treat inside and outside surfaces (F-17.08) and apply BMS 10-11, Type 1 primer to outside surface only (F-20.02). Material: Al alloy.
- B. Tube (85, IPL Fig. 1; 70, 71, IPL Fig. 2; 30, IPL Fig. 3) -- Chemically treat and apply BMS 10-11, type 1 primer (F-18.07) to all surfaces but not on threads; a light overspray of primer is permitted on the ends. Material: Al alloy.

25-28-03

REPAIR 1-1

01.1

Page 601

Jul 01/02

- C. On all 412T3212 support rod assemblies and on all 412T3210 support rod assemblies but the -57, -72 and -73 assemblies, apply the word UP and the arrow as shown on Fig. 601 and as specified in SOPM 20-50-10. The height of the word UP must be approximately 0.25-inch.
- D. Rod end (25, 50, IPL Fig. 1) -- Chemical treat inside and outside to meet the requirements of MIL-C-5541 (F-17.08) and apply BMS 10-11, Type 1 primer (F-20.02) to all surfaces but not on the inside of the hole.
Material: Al alloy.
- E. Clevis (25, IPL Fig. 2) -- Cadmium plate and apply BMS 10-11, Type 1 primer (F-16.01) to all surfaces but not on the inside of the holes or on threads. Material: 15-5 PH, 150-170 ksi.
- F. Tie Rod (75, IPL Fig. 2) -- Apply BMS 10-83, Type 2 enamel (F-22.06-7362). Locate assembly part mark within one inch of the rod end.
- G. Rod assembly (25, IPL Fig. 4) - Chemical treat and apply BMS 10-11, Type 1 primer (F-18.07) to the inner and outer surfaces but not the threads. Light over spray of primer is permitted on the ends.
- H. Insert (35, 40, 45, IPL Fig. 4) - Cadmium plate and apply BMS 10-11, Type 1 primer (F-16.01). Material: 15-5PH CRES, 150-170 ksi.

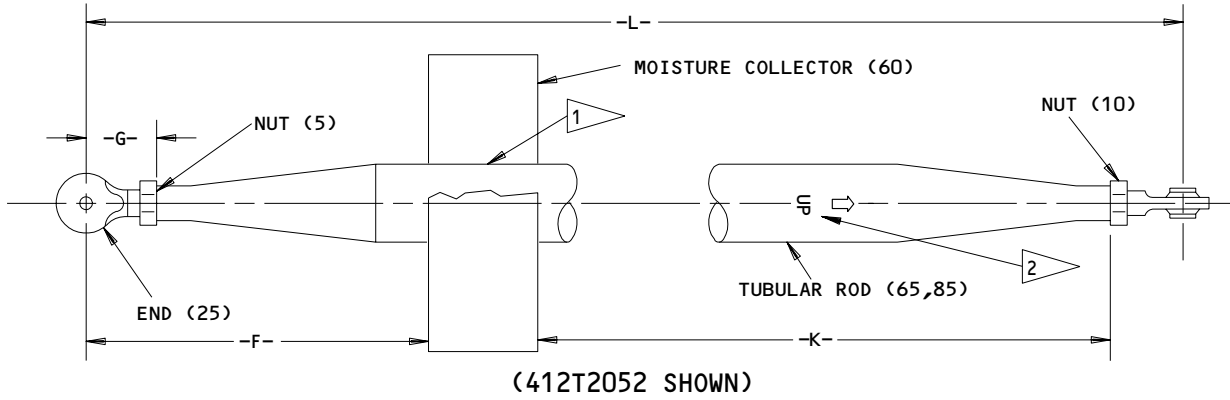
25-28-03

REPAIR 1-1

01.1

Page 602

Jul 01/02



412T2052

DASH NO.	-L- ±0.03	-F- ±0.03	-G- ±0.03
-5	14.95	5.00	0.85
-7	40.00	13.30	0.95
-8	46.07	15.30	0.95
-9	46.07	5.00	0.95
-10	14.70	5.00	0.85
-11	17.34	5.90	0.85
-12	14.95	5.00	0.85
-13	17.63	5.90	0.85
-18	27.37	9.00	1.03
-19	28.97	10.10	1.03
-20	*	15.30	1.16
-21	14.95	5.00	0.93
-22	45.61	15.00	0.98
-23	35.45	13.30	0.95
-24	30.81	13.30	0.95
-26	13.06	0.85	*
-27	20.27	0.95	*
-28	35.02	0.95	13.30
-29	36.24	13.30	0.95
-30	10.42	0.95	*
-31	17.09	5.90	0.73
-32	12.65	--	0.95
-33	32.26	--	0.95
-34	41.58	--	0.85
-35	39.40	15.00	0.98
-36	14.95	5.00	0.85

* ONE ROD END ONLY

412T2052

DASH NO.	-L- ±0.03	-F- ±0.03	-G- ±0.03
-37	46.07	15.30	0.95
-38	46.07	5.00	0.95
-39	14.70	5.00	0.85
-40	17.34	5.90	0.85
-41	14.95	5.00	0.85
-42	17.63	5.90	0.85
-43	40.00	13.30	0.95
-44	14.95	5.00	0.93
-46	35.45	13.30	0.95
-48	17.09	5.90	0.88
-49	45.61	15.00	0.98
-50	14.70	5.00	1.45
-51	14.95	5.00	0.98
-52	17.63	5.90	1.45
-53	14.95	5.90	1.30
-54	17.63	5.90	1.18
-55	57.56	15.00	0.88
-56	45.08	15.00	0.98
-57	46.07	---	0.95
-58	9.15	5.00	0.85

Rod End Replacement
Figure 601 (Sheet 1)

25-28-03

REPAIR 1-1

01.1

Page 603

Jul 01/02

412T3210

DASH NOS	-L- ±0.03	-K- ±0.03
-1	14.38	8.3
-3	20.96	12.6
-4	21.34	13.0
-5	28.40	17.6
-6	11.68	5.30
-9	9.50	2.5
-10	28.68	17.4
-14	19.87	11.9
-15	17.42	3.6
-16	23.40	14.3
-17	30.62	19.0
-23	60.96	52.0
-24	64.80	56.0
-25	56.24	47.0
-26	55.47	46.5
-27	63.92	55.0
-30	53.22	44.0
-31	53.22	44.0
-32	53.32	43.0
-33	59.71	51.0
-34	29.20	19.0
-35	21.90	14.3
-36	53.63	44.5
-37	29.78	17.8
-38	46.78	38.0
-39	65.43	56.0
-40	18.15	11.8
-41	17.42	3.6
-43	27.74	17.2
-45	26.34	15.8
-47	27.19	19.0

412T3210

DASH NOS	-L- ±0.03	-K- ±0.03
-48	27.74	17.2
-50	21.79	14.7
-51	30.33	--
-53	24.23	--
-54	49.78	40.7
-55	49.75	40.7
-57	28.52	17.25
-58	53.20	42.9
-59	53.20	42.9
-60	43.20	34.0
-63	18.54	8.0
-64	22.50	14.3
-65	37.98	10.0
-66	40.15	21.0
-68	15.53	9.0
-69	18.28	8.0
-70	52.08	8.0
-71	17.00	9.17
-74	37.20	16.00
-75	49.81	40.70
-77	53.20	42.90
-78	53.20	42.90
-79	28.99	16.00
-80	58.26	28.00
-82	51.91	42.50
-83	33.53	--
-84	16.30	6.00

412T3212

DASH NO.	-L- ±0.03	-K- ±0.03
-1	6.72	3.2
-2	7.47	3.7
-3	8.52	4.3
-4	11.70	6.5
-14	8.02	4.3
-18	8.90	3.0
-19	11.50	6.5
-20	6.50	3.2



1 TYPE 48 ADHESIVE

2 USED ON ALL 412T3212 SUPPORT ROD ASSEMBLIES AND ON ALL 412T3210 SUPPORT ROD ASSEMBLIES EXCEPT -57,-72 AND -73.

Rod End Replacement
Figure 601 (Sheet 2)

25-28-03

REPAIR 1-1

Page 604

Jul 01/02

01.1

ILLUSTRATED PARTS LIST

1. This section lists and illustrates replaceable or repairable component parts. The Illustrated Parts Catalog contains a complete explanation of the Boeing part numbering system.

2. Indentures show parts relationships as follows:

Assembly

Detail Parts for Assembly

Subassembly

Attaching Parts for Subassembly

Detail Parts for Subassembly

Detail Installation Parts (Included only if installation parts may be returned to shop as part of assembly)

3. One use code letter (A, B, C, etc.) is assigned in the EFF CODE column for each variation of top assembly. All listed parts are used on all top assemblies except when limitations are shown by use code letter opposite individual part entries.

4. Letter suffixes (alpha-variants) are added to item numbers for optional parts, Service Bulletin modification parts, configuration differences (Except left- and right-hand parts), product improvement parts, and parts added between two sequential item numbers. The alpha-variant is not shown on illustrations when appearance and location of all variants of the part is the same.

5. Service Bulletin modifications are shown by the notations PRE SB XXXX and POST SB XXXX.

A. When a new top assembly part number is assigned by Service Bulletin, the notations appear at the top assembly level only. The configuration differences at detail part level are then shown by use code letter.

B. When the top assembly part number is not changed by the Service Bulletin, the notations appear at the detail part level.

6. Parts Interchangeability

Optional
(OPT)

The parts are optional to and interchangeable with other parts having the same item number.

Supersedes, Superseded By
(SUPSDS, SUPSD BY)

The part supersedes and is not interchangeable with the original part.

Replaces, Replaced By
(REPLS, REPLD BY)

The part replaces and is interchangeable with, or is an alternate to, the original part.

25-28-03

VENDORS

S0352 NIPPON MINIATURE BEARING CO LTD
TOKYO, JAPAN

02758 NETWORKS ELECTRONIC CORP U S BEARING DIV
9750 DE SOTO AVENUE
CHATSWORTH, CALIFORNIA 91311-4409
FORMERLY U S BEARING DIV NETWORKS ELEC CORP

09455 BFM TRANSPORT DYNAMICS CORP
3131 WEST SEGERSTROM AVENUE PO BOX 1953
SANTA ANA, CALIFORNIA 92702-1953
FORMERLY TRANSPORT DYNAMICS AEROSPACE DIV, FABROID DIV
TRANSPORT DYNAMICS V17571 AND LEAR SEIGLER INC TRANSPORT
DIV V98076

15860 NEW HAMPSHIRE BALL BEARINGS, INCORPORATED ASTRO DIVISION
155 LEXINGTON AVENUE
LACONIA, NEW HAMPSHIRE 03246-2937
FORMERLY ASTRO BEARING CORP, LOS ANGELES, CALIF.

16746 SPECLINE INCORPORATED
2230 MOUTON DR
CARSON CITY, NV 89706
FORMERLY IN SUN VALLEY, CAIFORNIA

21335 TORRINGTON CO FAFNIR BEARING DIV
59 FIELD STREET
TORRINGTON, CONNECTICUT 06790-1008
FORMERLY FAFNIR BRG AND TEXTRON INC FAFNIR DIV IN
NEW BRITAIN, CONNECTICUT

34742 TYEE AIRCRAFT INCORPORATED
3008 100TH STREET SOUTHWEST
EVERETT, WASHINGTON 98204
FORMERLY V0128B

50294 NEW HAMPSHIRE BALL BEARINGS INC
9727 DESOTO AVE PO BOX 2515
CHATSWORTH, CALIFORNIA 91311-4323
FORMERLY NIPPON MINATURE BEARING CORP V23589 AND NMB
AMERICA INC AND NMB INC

56644 AURORA BEARING CO
970 SOUTH LAKE STREET
AURORA, ILLINOIS 60506-5929

25-28-03

ILLUSTRATED PARTS LIST
01.1 Page 1002
Jul 01/02

VENDORS

- 73134 IMO INDUSTRIES INC HEIM BEARINGS DIV
60 ROUND HILL ROAD PO BOX 430
FAIRFIELD, CONNECTICUT 06430
FORMERLY INCOM INTL INC HEIM DIV; FORMERLY HEIM UNIVERSAL
CORP INCOM INTL INC; FORMERLY HEIM DIV INCOM INTL
- 76005 LORD CORP AEROSPACE PRODUCTS DIV
1635 WEST 12TH STREET, PO BOX 10039
ERIE, PENNSYLVANIA 16514
FORMERLY LORD MANUFACTURING COMPANY
FORMERLY LORD CORP LORD KINEMATICS
- 77896 REXNORD INC BEARING OPERATION
2400 CURTIS STREET
DOWNERS GROVE, ILLINOIS 60515-4005
FORMERLY SHAEFER BEARING DIV REX CHAINBELT
FORMERLY REX CHAINBELT INC BEARING DIV.
- 81376 SOUTHWEST PRODUCTS COMPANY
2240 BUENA VISTA STREET
IRVINDALE, CALIFORNIA 91706
FORMERLY IN MONROVIA, CALIFORNIA 91016
- 97613 SARGENT CONTROLS & AEROSPACE/KAHR BEARING DIV
5675 W BURLINGAME RD
TUCSON, ARIZONA 85743
FORMERLY AETNA STEEL PROD KAHR BEARING DIV V96579
FORMERLY SARGENT IND KAHR BEARING DIV, BURBANK, CALIFORNIA

25-28-03

PART NUMBER	AIRLINE PART NO.	FIG.	ITEM	TTL REQ
ADNE5-202		1	55	1
		2	40A	1
ADNE8-201		2	40T	1
AN316-5L		1	9	1
		2	5	1
		3	5	1
		4	5	1
AN316-5R		1	10	1
		2	35	1
		3	15	1
		4	15	1
AN316-6L		1	9C	1
		2	5A	1
AN316-6R		1	10C	1
		2	35A	1
AN316-7L		2	5B	1
AN316-7R		2	35B	1
AN316-8L		2	5C	1
AN316-8R		2	35D	1
ARHTL5E102		2	10L	1
ARHTL5E107		2	10M	1
ARHT5E102		1	55	1
		2	40A	1
ARHT5E105		2	40P	1
ARTL4E129		1	55J	1
		2	10P	1
ARTL4E135		1	35D	1
		2	10K	1
ARTL8E106		2	10J	1
ART4E129		1	35L	1
		2	40N	1
ART4E132		1	55A	1
ART5EW109		4	20	1

25-28-03

 ILLUSTRATED PARTS LIST
 01.1 Page 1004
 Jul 01/02

412T2052
 412T3210
 412T3212

 **BOEING**
 COMPONENT
 MAINTENANCE MANUAL

PART NUMBER	AIRLINE PART NO.	FIG.	ITEM	TTL REQ
ART64E132		1	30	1
ART8E106		2	40K	1
ASMK4T21		2	40U	1
ASMK4T21		3	20B	1
ASMK5T17		4	20	1
ASM4T29		1	35L	1
		2	40N	1
ASM4T29A		1	35L	1
		2	40N	1
ASM8T1		2	40T	1
BACB28X4C013		2	20	1
BACB28X5C014		2	20A	1
DREMLH4-047		1	30	1
DREMLH4-279		1	35D	1
		2	10K	1
		3	10A	1
DREMLH4-292		1	55J	1
		2	10P	1
DREMLH5-019		2	10L	1
DREM4-047		1	55A	1
DREM4-292		1	35L	1
		2	40N	1
DREM5-019		1	55	1
		2	40A	1
DREM5-076		2	40B	1
DREM5-077		4	20	1
DREM5-201		2	40P	1
DREM8-014		2	40K	1
HB4ETL186		2	40U	1
		3	20B	1
KBDEL4-32		1	30	1
KBDEL4-37		1	55J	1
		2	10P	1

25-28-03

ILLUSTRATED PARTS LIST
 01.1 Page 1005
 Jul 01/02

PART NUMBER	AIRLINE PART NO.	FIG.	ITEM	TTL REQ
KBDEL4-43		1	35D	1
		2	10K	1
		3	10A	1
KBDEL5-14		2	10L	1
KBDE4-32		1	55A	1
KBDE4-37		1	35L	1
KBDE4-37		2	40N	1
KBDE5-14		1	55	1
		2	40A	1
KBDE5-19		2	40B	1
KBDE5-20		4	20	1
KBDE6-21		2	40S	1
KBDE8-5		2	40K	1
KBNE5-51		2	40P	1
MSSKLR45-14BAJ		1	35D	1
		2	10K	1
		3	10A	1
MSSKLR56-14BAE		2	10M	1
MSSKR55-14BAC		4	20	1
MSSKR56-14BAE		2	40B	1
MSSK45-14BAE		1	55A	1
MSSLR45-14BAE		1	30	1
MSSLR45-14BAF		1	55J	1
		2	10P	1
MSSLR56-14BAC		2	10L	1
MSSR45-14BAF		1	35L	1
		2	40N	1
MSSR56-14BAC		1	55	1
		2	40A	1
MSSR57-14BAC		2	40P	1
NAS509-5		1	10B	1
NAS509-6		1	10E	1
NAS509L5		1	9B	1
NAS509L6		1	9E	1
NHNEL4-205		1	55J	1
		2	10P	1
NHNEL4-208		1	30	1
NHNEL4-212		1	35D	1
		2	10K	1
		3	10A	1
NHNEL5-202		2	10L	1
NHNE4-205		1	35L	1
NHNE4-205		2	40N	1
NHNE4-208		1	55A	1
NHNE5-202		1	55	1
		2	40A	1
NHNE5-205		2	40P	1
		2	40P	1

25-28-03

 ILLUSTRATED PARTS LIST
 01.1 Page 1006
 Jul 01/02

PART NUMBER	AIRLINE PART NO.	FIG.	ITEM	TTL REQ
NHNE5-209		4	20	1
NHNE8-201		2	40K	1
RA80-9-1		1	55G	1
RA80-9-2		1	35G	1
RA90-10-1		1	55E	1
RA90-10-2		1	35E	1
RA90-12-1		1	55F	1
RA90-12-2		1	35F	1
RA90-20-1		1	55K	1
RA90-20-2		1	35K	1
REML10ATC12-2		2	10L	1
REML16ATC16		2	10J	1
REML8ATC10-2		1	30	1
REML8ATC10-6		2	10P	1
REMSL10ATC12		2	10M	1
REMSL8ATC10-5		1	35D	1
		2	10K	1
		3	10A	1
REMS10ATC10-2		4	20	1
REMS10ATC12		2	40B	1
REM10ATC12-2		1	55	1
		2	40A	1
REM10ATC14		2	40P	1
REM8ATC10-2		1	55A	1
REM8ATC10-6		1	35L	1
		2	40N	1
S412T300-10L		1	35H	1
S412T300-11R		1	55K	1
S412T300-6L		1	35G	1
S412T300-6R		1	55G	1
S412T300-7L		1	35E	1
S412T300-7R		1	55E	1
S412T300-8L		1	35F	1
S412T300-8R		1	55F	1
TFM105C		4	20	1
TFM105S		2	40B	1
TFM105SL		2	10M	1
TFM105W		2	40B	1
TFM105WL		2	10M	1
TFM5C		1	55	1
		2	40A	1
TFM5CL		2	10L	1
YTM111		2	40K	1
YTM111L		2	10J	1
YTM124C		1	55A	1
YTM124CL		1	30	1

25-28-03

ILLUSTRATED PARTS LIST
01.1 Page 1007
Jul 01/02

PART NUMBER	AIRLINE PART NO.	FIG.	ITEM	TTL REQ
YTM124ML		1	35D	1
		2	10K	1
		3	10A	1
YTM187		1	35L	1
		2	40N	1
YTM187L		1	55J	1
		2	10P	1
YTM226		2	40P	1
01-728-0312		4	20	1
10-60779-106		2	40K	1
10-60779-106L		2	10J	1
10-60779-112		1	55	1
		2	40A	1
10-60779-112L		2	10L	1
10-60779-124		1	35L	1
		2	40N	1
10-60779-124L		1	55J	1
		2	10P	1
10-60779-127		2	40P	1
10-60779-127L		2	10D	1
10-60779-151		1	55A	1
10-60779-151L		1	30	1
10-60779-152		2	40S	1
10-60779-152L		2	10G	1
10-60779-158		2	40B	1
10-60779-158L		2	10M	1
10-60779-166		4	20	1
10-60779-166L		4	10	1
10-60779-167		2	40E	1
10-60779-174		2	40U	1
		3	20B	1

25-28-03

 ILLUSTRATED PARTS LIST
 01.1 Page 1008
 Jul 01/02

PART NUMBER	AIRLINE PART NO.	FIG.	ITEM	TTL REQ
10-60779-174L		1	35D	1
		2	10K	1
		3	10A	1
1042-19		2	75	1
11-727-0500		2	10J	1
1280-17		2	75A	1
167131		1	35D	1
		2	10K	1
		3	10A	1
167144		1	55J	1
		2	10P	1
177144		1	35L	1
		2	40N	1
177326		2	40P	1
412T2031-1		1	65	1
412T2031-13		1	65E	1
412T2031-14		1	65F	1
412T2031-16		1	65G	1
412T2031-17		1	65H	1
412T2031-18		1	65J	1
412T2031-2		1	65A	1
412T2031-22		1	65Q	1
412T2031-23		1	65R	1
412T2031-24		1	65S	1
412T2031-25		1	65T	1
412T2031-26		1	65U	1
412T2031-27		1	65V	1
412T2031-28		1	65W	1
412T2031-29		1	65X	1
412T2031-3		1	65B	1
412T2031-30		1	65Y	1

25-28-03

PART NUMBER	AIRLINE PART NO.	FIG.	ITEM	TTL REQ
412T2031-31		1	65Z	1
412T2031-33		1	66	1
412T2031-4		1	65C	1
412T2031-5		1	65N	1
412T2031-7		1	65K	1
412T2031-8		1	65L	1
412T2049-1		1	60	1
412T2049-2		1	60A	1
412T2049-3		1	60B	1
412T2050-1		1	20	1
		1	45	1
412T2050-2		1	20A	1
		1	45A	1
412T2051-1		1	15	1
412T2051-2		1	40	1
412T2051-3		1	15A	1
412T2051-4		1	40A	1
412T2051-5		1	25A	1
412T2051-6		1	50A	1
412T2051-7		1	25	1
412T2051-8		1	50	1
412T2052-10		1	1	RF
412T2052-11		1	1A	RF
412T2052-12		1	1B	RF
412T2052-13		1	1C	RF
412T2052-18		1	1E	RF
412T2052-19		1	1F	RF
412T2052-20		1	1G	RF
412T2052-21		1	1H	RF
412T2052-22		1	1J	RF
412T2052-23		1	1K	RF
412T2052-24		1	1L	RF
412T2052-26		1	1S	RF
412T2052-27		1	1T	RF
412T2052-28		1	1U	RF
412T2052-29		1	1V	RF
412T2052-30		1	3Q	RF
412T2052-31		1	3R	RF
412T2052-32		1	3S	RF
412T2052-33		1	3T	RF
412T2052-34		1	3Z	RF

25-28-03

 ILLUSTRATED PARTS LIST
 01.1 Page 1010
 Jul 01/02

412T2052
412T3210
412T3212



BOEING
COMPONENT
MAINTENANCE MANUAL

PART NUMBER	AIRLINE PART NO.	FIG.	ITEM	TTL REQ
412T2052-35		1	4	RF
412T2052-36		1	4M	RF
412T2052-37		1	4N	RF
412T2052-38		1	5L	RF
412T2052-39		1	5M	RF
412T2052-40		1	5N	RF
412T2052-41		1	5P	RF
412T2052-42		1	5Q	RF
412T2052-43		1	5R	RF
412T2052-44		1	5S	RF
412T2052-46		1	5U	RF
412T2052-48		1	5W	RF
412T2052-49		1	5X	RF
412T2052-5		1	1M	RF
412T2052-50		1	6D	RF
412T2052-51		1	6E	RF
412T2052-52		1	6F	RF
412T2052-53		1	6G	RF
412T2052-56		1	6M	RF
412T2052-57		1	6N	RF
412T2052-58		1	6P	RF
412T2052-7		1	1N	RF
412T2052-8		1	1P	RF
412T2052-9		1	1Q	RF
412T3113-1		3	30	1
412T3113-2		3	30B	1
412T3113-3		3	30C	1
412T3113-4		3	30D	1
412T3113-5		3	30A	1
412T3113-6		3	30E	1
412T3113-8		3	30F	1
412T3113-9		3	30G	1
412T3114-1		2	15	1
412T3114-2		2	25	1
412T3114-3		2	15A	1
412T3114-4		2	25A	1
412T3114-5		2	10E	1
412T3115-1		2	45	1
412T3115-2		1	60C	1
		2	45A	1

25-28-03

ILLUSTRATED PARTS LIST
01.1 Page 1011
Jul 01/02

PART NUMBER	AIRLINE PART NO.	FIG.	ITEM	TTL REQ
412T3115-3		3	25	1
412T3115-5		1	60D	1
		2	45B	1
412T3115-7		2	45C	1
412T3116-1		1	75A	1
		1	80A	1
		2	55	1
		2	60	1
412T3116-1		4	45	2
412T3116-10		2	60E	1
412T3116-11		2	55F	1
412T3116-12		2	60J	1
412T3116-13		1	75B	1
		1	95	1
412T3116-14		1	75C	1
		1	100	1
412T3116-2		1	75D	1
		1	80C	1
		2	55B	1
		2	60B	1
412T3116-3		2	55D	1
		2	55H	2
		2	60D	1
412T3116-5		1	75	1
		1	95A	1
		2	55A	1
		4	35	1
412T3116-6		1	80	1
		1	100A	1
		2	60A	1
		4	40	1
412T3116-7		2	62	1

25-28-03

 ILLUSTRATED PARTS LIST
 01.1 Page 1012
 Jul 01/02

412T2052
 412T3210
 412T3212



BOEING
 COMPONENT
 MAINTENANCE MANUAL

PART NUMBER	AIRLINE PART NO.	FIG.	ITEM	TTL REQ
412T3116-8		2	63	1
412T3116-9		2	55E	1
412T3118-100		2	51E	1
412T3118-101		2	71D	1
412T3118-102		4	25	1
412T3118-103		4	50	1
412T3118-104		2	71P	1
412T3118-105		2	51S	1
412T3118-106		2	71H	1
412T3118-107		2	51K	1
412T3118-108		2	51G	1
412T3118-109		2	51H	1
412T3118-11		2	50A	1
412T3118-110		2	71F	1
412T3118-111		2	71G	1
412T3118-112		2	51J	1
412T3118-113		2	51L	1
412T3118-114		2	71J	1
412T3118-117		2	51N	1
412T3118-118		2	71L	1
412T3118-12		2	70A	1
412T3118-121		2	51P	1
412T3118-122		2	71M	1
412T3118-123		2	51T	1
412T3118-124		2	71Q	1
412T3118-125		2	51Q	1
412T3118-126		2	71N	1
412T3118-127		2	51R	1
412T3118-128		2	51U	1
412T3118-13		2	50B	1
412T3118-130		2	71R	1
412T3118-131		1	70B	1
412T3118-132		1	85B	1
412T3118-133		2	51V	1
412T3118-134		2	71S	1

25-28-03

ILLUSTRATED PARTS LIST
 01.1 Page 1013
 Jul 01/02

PART NUMBER	AIRLINE PART NO.	FIG.	ITEM	TTL REQ
412T3118-135		2	71Z	1
412T3118-136		2	51X	1
412T3118-137		1	70C	1
412T3118-138		1	85C	1
412T3118-139		2	71T	1
412T3118-14		2	70B	1
412T3118-140		2	51W	1
412T3118-142		2	51Z	1
412T3118-143		2	51Y	1
412T3118-144		2	71U	1
412T3118-145		2	65A	1
412T3118-146		2	71Y	1
412T3118-147		2	52C	1
412T3118-148		2	52	1
412T3118-149		2	71V	1
412T3118-15		2	50C	1
412T3118-150		2	52A	1
412T3118-151		2	71W	1
412T3118-155		2	52D	1
412T3118-157		2	72	1
412T3118-158		2	52E	1
412T3118-159		4	30	1
412T3118-16		2	70C	1
412T3118-160		4	30A	1
412T3118-161		2	61	1
412T3118-162		1	90	1
412T3118-163		1	90A	1
		2	61A	1
412T3118-164		2	61B	1
412T3118-167		1	70E	1
412T3118-168		1	85E	1
412T3118-17		2	50D	1
412T3118-18		2	70D	1
412T3118-21		2	50V	1
412T3118-22		2	70U	1
412T3118-23		2	50E	1
412T3118-24		2	70E	1
412T3118-27		2	50G	1
412T3118-28		2	70G	1
412T3118-29		2	50H	1

25-28-03

 ILLUSTRATED PARTS LIST
 01.1 Page 1014
 Jul 01/02

412T2052
 412T3210
 412T3212

 **BOEING**
 COMPONENT
 MAINTENANCE MANUAL

PART NUMBER	AIRLINE PART NO.	FIG.	ITEM	TTL REQ
412T3118-30		2	70H	1
412T3118-31		2	50K	1
412T3118-32		2	70K	1
412T3118-33		2	50J	1
412T3118-34		2	70J	1
412T3118-4		2	65	1
412T3118-5		2	50F	1
412T3118-53		2	50L	1
412T3118-54		2	70L	1
412T3118-55		2	50M	1
412T3118-56		2	70M	1
412T3118-57		2	50N	1
412T3118-58		2	70N	1
412T3118-59		2	50P	1
412T3118-6		2	70F	1
412T3118-60		2	70P	1
412T3118-61		2	50Q	1
412T3118-62		2	70Q	1
412T3118-67		1	70	1
412T3118-68		1	85	1
412T3118-69		2	50R	1
412T3118-7		1	70D	1
		2	50	1
412T3118-70		2	50S	1
412T3118-71		2	70R	1
412T3118-72		2	70S	1
412T3118-73		2	50T	1
412T3118-74		2	70T	1
412T3118-75		2	50U	1
412T3118-76		1	70A	1
412T3118-77		1	85A	1
412T3118-78		2	50W	1
412T3118-79		2	70V	1
412T3118-8		1	85D	1
		2	70	1
412T3118-80		2	50X	1
412T3118-81		2	70W	1
412T3118-82		2	50Y	1
412T3118-83		2	70X	1
412T3118-84		2	50Z	1
412T3118-85		2	70Y	1
412T3118-88		2	70Z	1
412T3118-89		2	51	1
412T3118-92		2	71	1
412T3118-93		2	51A	1

25-28-03

ILLUSTRATED PARTS LIST
 01.1 Page 1015
 Jul 01/02

PART NUMBER	AIRLINE PART NO.	FIG.	ITEM	TTL REQ
412T3118-94		2	51B	1
412T3118-95		2	71A	1
412T3118-98		2	71B	1
412T3118-99		2	51C	1
412T3210-1		1	1W	RF
		2	1	RF
412T3210-10		1	2B	RF
		2	1F	RF
412T3210-14		1	2C	RF
		2	1G	RF
412T3210-15		1	2D	RF
		2	1H	RF
412T3210-16		1	2E	RF
		2	1J	RF
412T3210-17		1	2F	RF
		2	1K	RF
412T3210-23		1	2G	RF
		2	1L	RF
412T3210-24		1	2H	RF
		2	1M	RF
412T3210-25		1	2J	RF
		2	1N	RF
412T3210-26		1	2K	RF
		2	1P	RF
412T3210-27		1	2L	RF
		2	1Q	RF
412T3210-3		1	1X	RF
		2	1A	RF
412T3210-30		1	2M	RF
		2	1R	RF
412T3210-31		1	2N	RF
		2	1S	RF
412T3210-32		1	2P	RF
		2	1T	RF
412T3210-33		1	2Q	RF

25-28-03

 ILLUSTRATED PARTS LIST
 01.1 Page 1016
 Jul 01/02

412T2052
 412T3210
 412T3212

 **BOEING**
 COMPONENT
 MAINTENANCE MANUAL

PART NUMBER	AIRLINE PART NO.	FIG.	ITEM	TTL REQ
412T3210-33		2	1U	RF
412T3210-34		1	2R	RF
		2	1V	RF
412T3210-35		1	2S	RF
		2	1W	RF
412T3210-36		1	2T	RF
		2	1X	RF
412T3210-37		1	2U	RF
		2	1Y	RF
412T3210-38		1	2V	RF
		2	1Z	RF
412T3210-39		1	2W	RF
		2	2	RF
412T3210-4		1	1Y	RF
		2	1B	RF
412T3210-40		1	2X	RF
		2	2A	RF
412T3210-41		1	2Y	RF
		2	2B	RF
412T3210-43		1	2Z	RF
		2	2C	RF
412T3210-45		1	3	RF
		2	2D	RF
412T3210-47		1	3B	RF
		2	2F	RF
412T3210-48		1	3C	RF
		2	2G	RF
412T3210-5		1	1Z	RF
		2	1C	RF
412T3210-50		1	3E	RF
		2	2J	RF
412T3210-51		1	4L	RF
		4	1A	RF
412T3210-53		1	4G	RF
		2	2X	RF

25-28-03

ILLUSTRATED PARTS LIST
 01.1 Page 1017
 Jul 01/02

PART NUMBER	AIRLINE PART NO.	FIG.	ITEM	TTL REQ
412T3210-54		1	3U	RF
		2	2P	RF
412T3210-55		1	3V	RF
		2	2Q	RF
412T3210-57		1	3W	RF
		2	2L	RF
412T3210-58		1	3X	RF
		2	2M	RF
412T3210-59		1	3Y	RF
		2	2N	RF
412T3210-6		1	2	RF
		2	1D	RF
412T3210-60		1	4A	RF
		2	2R	RF
412T3210-63		1	4C	RF
		2	2T	RF
412T3210-64		1	6H	RF
		2	3L	RF
412T3210-65		1	4D	RF
		2	2U	RF
412T3210-66		1	4H	RF
		2	2Y	RF
412T3210-68		1	4E	RF
		2	2V	RF
412T3210-69		1	4F	RF
		2	2W	RF
412T3210-70		1	4J	RF
		2	2Z	RF
412T3210-71		1	4K	RF
		2	3	RF
412T3210-72		1	5G	RF
		2	3A	RF
412T3210-73		1	5H	RF
		2	3B	RF
412T3210-74		1	5J	RF
		2	3C	RF

25-28-03

 ILLUSTRATED PARTS LIST
 01.1 Page 1018
 Jul 01/02

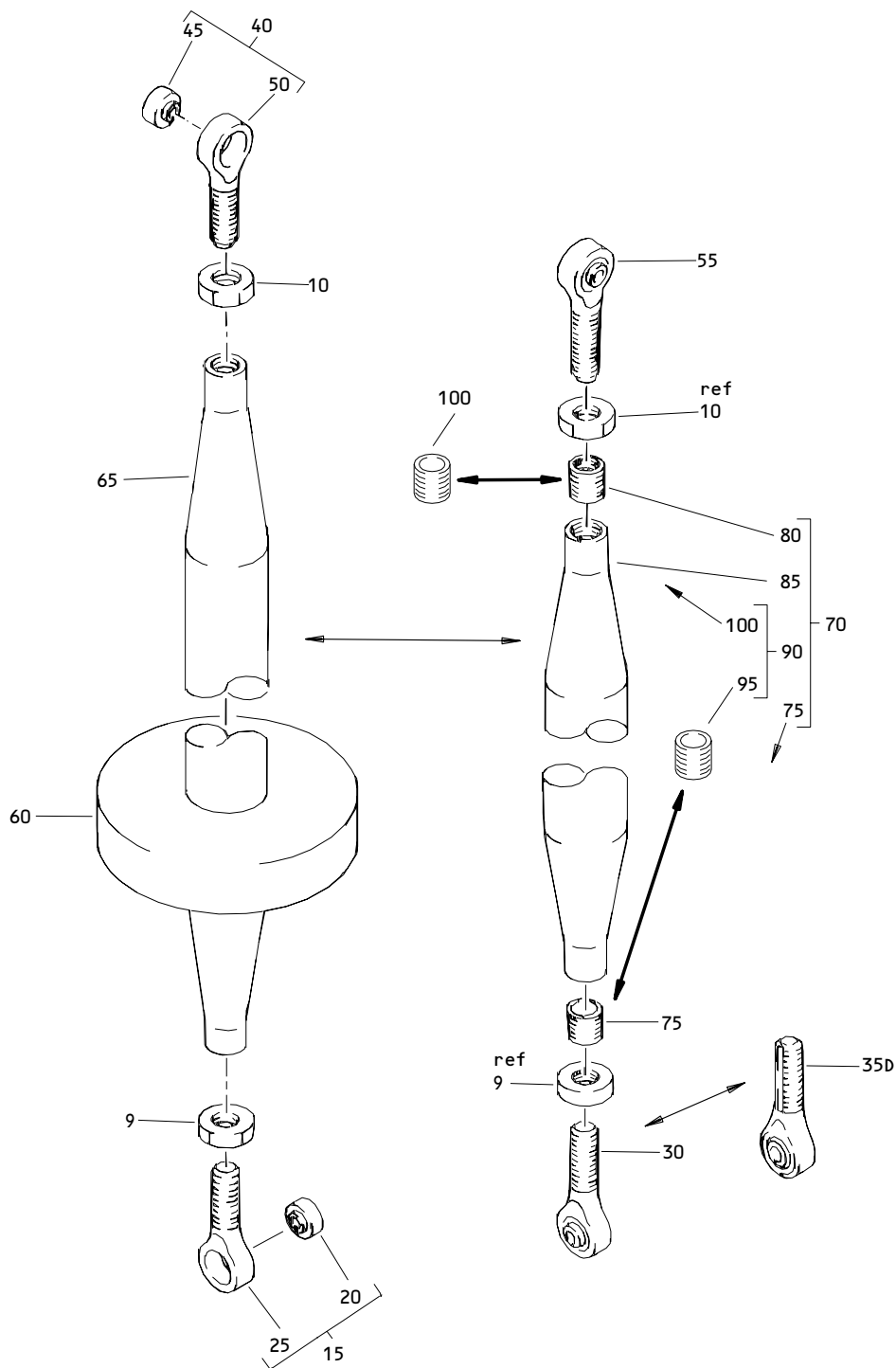
412T2052
 412T3210
 412T3212

 **BOEING**
 COMPONENT
 MAINTENANCE MANUAL

PART NUMBER	AIRLINE PART NO.	FIG.	ITEM	TTL REQ
412T3210-75		1	5K	RF
		2	3M	RF
412T3210-77		1	5Y	RF
		2	3E	RF
412T3210-78		1	5Z	RF
		2	3F	RF
412T3210-79		1	6C	RF
		2	3J	RF
412T3210-80		1	6	RF
		2	3G	RF
412T3210-82		1	6A	RF
		2	3H	RF
412T3210-83		1	6J	RF
		2	3N	RF
412T3210-84		1	6K	RF
		2	3P	RF
412T3210-9		1	2A	RF
		2	1E	RF
412T3212-1		1	3F	RF
412T3212-1		3	1	RF
412T3212-14		1	3K	RF
		3	1D	RF
412T3212-18		1	3L	RF
		3	1E	RF
412T3212-19		1	5F	RF
		3	1F	RF
412T3212-2		1	3G	RF
		3	1A	RF
412T3212-20		1	6L	RF
		3	1G	RF
412T3212-3		1	3H	RF
		3	1B	RF
412T3212-4		1	3J	RF
		3	1C	RF
67253		2	10L	1
67255		1	30	1
67261		2	10M	1
77253		1	55	1
		2	40A	1
77255		1	55A	1
77261		2	40B	1
79E04-124		1	35L	1
		2	40N	1
79E08-106		2	40K	1

25-28-03

ILLUSTRATED PARTS LIST
 01.1 Page 1019
 Jul 01/02



Center Stowage Support Rod Assembly
 Figure 1

25-28-03

ILLUSTRATED PARTS LIST
 01.1 Page 1020
 Jul 01/02

FIG. & ITEM	PART NO.	AIRLINE PART NUMBER	NOMENCLATURE 1234567	EFF CODE	QTY PER ASSY
01-					
-1	412T2052-10		ROD ASSY-CTR STOWAGE SPRT	A	RF
-1A	412T2052-11		ROD ASSY-CTR STOWAGE SPRT	B	RF
-1B	412T2052-12		ROD ASSY-CTR STOWAGE SPRT	C	RF
-1C	412T2052-13		ROD ASSY-CTR STOWAGE SPRT	D	RF
-1D	412T2052-17		DELETED		
-1E	412T2052-18		ROD ASSY-CTR STOWAGE SPRT	F	RF
-1F	412T2052-19		ROD ASSY-CTR STOWAGE SPRT	G	RF
-1G	412T2052-20		ROD ASSY-CTR STOWAGE SPRT	H	RF
-1H	412T2052-21		ROD ASSY-CTR STOWAGE SPRT	J	RF
-1J	412T2052-22		ROD ASSY-CTR STOWAGE SPRT (PRE SB 767-25-0175)	K	RF
-1K	412T2052-23		ROD ASSY-CTR STOWAGE SPRT	L	RF
-1L	412T2052-24		ROD ASSY-CTR STOWAGE SPRT	M	RF
-1M	412T2052-5		ROD ASSY-CTR STOWAGE SPRT	N	RF
-1N	412T2052-7		ROD ASSY-CTR STOWAGE SPRT	P	RF
-1P	412T2052-8		ROD ASSY-CTR STOWAGE SPRT	Q	RF
-1Q	412T2052-9		ROD ASSY-CTR STOWAGE SPRT	R	RF
-1R	412T2052-25		DELETED		
-1S	412T2052-26		ROD ASSY-CTR STOWAGE SPRT	T	RF
-1T	412T2052-27		ROD ASSY-CTR STOWAGE SPRT	U	RF
-1U	412T2052-28		ROD ASSY-CTR STOWAGE SPRT	V	RF
-1V	412T2052-29		ROD ASSY-CTR STOWAGE SPRT	S	RF
-1W	412T3210-1		ROD ASSY-SPRT (FOR DETAILS SEE FIG. 2)	AA	RF
-1X	412T3210-3		ROD ASSY-SPRT (FOR DETAILS SEE FIG. 2)	AB	RF
-1Y	412T3210-4		ROD ASSY-SPRT (FOR DETAILS SEE FIG. 2)	AC	RF
-1Z	412T3210-5		ROD ASSY-SPRT (FOR DETAILS SEE FIG.2)	AD	RF
-2	412T3210-6		ROD ASSY-SPRT (FOR DETAILS SEE FIG. 2)	AE	RF
-2A	412T3210-9		ROD ASSY-SPRT (FOR DETAILS SEE FIG. 2)	AF	RF
-2B	412T3210-10		ROD ASSY-SPRT (FOR DETAILS SEE FIG. 2)	AG	RF
-2C	412T3210-14		ROD ASSY-SPRT (FOR DETAILS SEE FIG. 2)	AH	RF
-2D	412T3210-15		ROD ASSY-SPRT (FOR DETAILS SEE FIG. 2)	AJ	RF
-2E	412T3210-16		ROD ASSY-SPRT (FOR DETAILS SEE FIG. 2)	AK	RF
-2F	412T3210-17		ROD ASSY-SPRT (FOR DETAILS SEE FIG. 2)	AL	RF

25-28-03

ILLUSTRATED PARTS LIST
01.1 Page 1021
Jul 01/02

FIG. & ITEM	PART NO.	AIRLINE PART NUMBER	NOMENCLATURE 1234567	EFF CODE	QTY PER ASSY
01- -2G	412T3210-23		ROD ASSY-SPRT (FOR DETAILS SEE FIG. 2)	AM	RF
-2H	412T3210-24		ROD ASSY-SPRT (FOR DETAILS SEE FIG. 2)	AN	RF
-2J	412T3210-25		ROD ASSY-SPRT (FOR DETAILS SEE FIG. 2)	AP	RF
-2K	412T3210-26		ROD ASSY-SPRT (FOR DETAILS SEE FIG. 2)	AQ	RF
-2L	412T3210-27		ROD ASSY-SPRT (FOR DETAILS SEE FIG. 2)	AR	RF
-2M	412T3210-30		ROD ASSY-SPRT (FOR DETAILS SEE FIG. 2)	AS	RF
-2N	412T3210-31		ROD ASSY-SPRT (FOR DETAILS SEE FIG. 2)	AT	RF
-2P	412T3210-32		ROD ASSY-SPRT (FOR DETAILS SEE FIG. 2)	AU	RF
-2Q	412T3210-33		ROD ASSY-SPRT (FOR DETAILS SEE FIG. 2)	AV	RF
-2R	412T3210-34		ROD ASSY-SPRT (FOR DETAILS SEE FIG. 2)	AW	RF
-2S	412T3210-35		ROD ASSY-SPRT (FOR DETAILS SEE FIG. 2)	AX	RF
-2T	412T3210-36		ROD ASSY-SPRT (FOR DETAILS SEE FIG. 2)	AY	RF
-2U	412T3210-37		ROD ASSY-SPRT (FOR DETAILS SEE FIG. 2)	AZ	RF
-2V	412T3210-38		ROD ASSY-SPRT (FOR DETAILS SEE FIG. 2)	BA	RF
-2W	412T3210-39		ROD ASSY-SPRT (FOR DETAILS SEE FIG. 2)	BB	RF
-2X	412T3210-40		ROD ASSY-SPRT (FOR DETAILS SEE FIG. 2)	BC	RF
-2Y	412T3210-41		ROD ASSY-SPRT (FOR DETAILS SEE FIG. 2)	BD	RF
-2Z	412T3210-43		ROD ASSY-SPRT (FOR DETAILS SEE FIG. 2)	BE	RF
-3	412T3210-45		ROD ASSY-SPRT (FOR DETAILS SEE FIG. 2)	BF	RF
-3A	412T3210-46		DELETED		
-3B	412T3210-47		ROD ASSY-SPRT (FOR DETAILS SEE FIG. 2)	BH	RF
-3C	412T3210-48		ROD ASSY-SPRT (FOR DETAILS SEE FIG. 2)	BJ	RF
-3D	412T3210-49		DELETED		

25-28-03

 ILLUSTRATED PARTS LIST
 01.1 Page 1022
 Jul 01/02

FIG. & ITEM	PART NO.	AIRLINE PART NUMBER	NOMENCLATURE 1234567	EFF CODE	QTY PER ASSY
01- -3E	412T3210-50		ROD ASSY-SPRT (FOR DETAILS SEE FIG. 2)	BL	RF
-3F	412T3212-1		ROD ASSY-SPRT (FOR DETAILS SEE FIG. 3)	BM	RF
-3G	412T3212-2		ROD ASSY-SPRT (FOR DETAILS SEE FIG. 3)	BN	RF
-3H	412T3212-3		ROD ASSY-SPRT (FOR DETAILS SEE FIG. 3)	BP	RF
-3J	412T3212-4		ROD ASSY-SPRT (FOR DETAILS SEE FIG. 3)	BQ	RF
-3K	412T3212-14		ROD ASSY-SPRT (FOR DETAILS SEE FIG. 3)	BR	RF
-3L	412T3212-18		ROD ASSY-SPRT (FOR DETAILS SEE FIG. 3)	BS	RF
-3M	412T3252-30		DELETED		
-3N	412T3252-31		DELETED		
-3P	412T3252-32		DELETED		
-3Q	412T2052-30		ROD ASSY-SPRT	BT	RF
-3R	412T2052-31		ROD ASSY-SPRT	BU	RF
-3S	412T2052-32		ROD ASSY-SPRT	BV	RF
-3T	412T2052-33		ROD ASSY-SPRT	BW	RF
-3U	412T3210-54		ROD ASSY-SPRT (FOR DETAILS SEE FIG. 2)	BX	RF
-3V	412T3210-55		ROD ASSY-SPRT (FOR DETAILS SEE FIG. 2)	BY	RF
-3W	412T3210-57		ROD ASSY-SPRT (FOR DETAILS SEE FIG. 2)	BZ	RF
-3X	412T3210-58		ROD ASSY-SPRT (FOR DETAILS SEE FIG. 2)	CA	RF
-3Y	412T3210-59		ROD ASSY-SPRT (FOR DETAILS SEE FIG. 2)	CB	RF
-3Z	412T2052-34		ROD ASSY-SPRT	CC	RF
-4	412T2052-35		ROD ASSY-SPRT	CD	RF
-4A	412T3210-60		ROD ASSY-SPRT (FOR DETAILS SEE FIG. 2)	CE	RF
-4B	412T3210-61		DELETED		
-4C	412T3210-63		ROD ASSY-SPRT (FOR DETAILS SEE FIG. 2)	CG	RF
-4D	412T3210-65		ROD ASSY-SPRT (FOR DETAILS SEE FIG. 2)	CH	RF
-4E	412T3210-68		ROD ASSY-SPRT (FOR DETAILS SEE FIG. 2)	CJ	RF
-4F	412T3210-69		ROD ASSY-SPRT (FOR DETAILS SEE FIG. 2)	CK	RF

25-28-03

ILLUSTRATED PARTS LIST
01.1 Page 1023
Jul 01/02

FIG. & ITEM	PART NO.	AIRLINE PART NUMBER	NOMENCLATURE 1234567	EFF CODE	QTY PER ASSY
01-					
-4G	412T3210-53		ROD ASSY-SPRT (FOR DETAILS SEE FIG. 2)	CL	RF
-4H	412T3210-66		ROD ASSY-SPRT (FOR DETAILS SEE FIG. 2)	CM	RF
-4J	412T3210-70		ROD ASSY-SPRT (FOR DETAILS SEE FIG. 2)	CN	RF
-4K	412T3210-71		ROD ASSY-SPRT (FOR DETAILS SEE FIG. 2)	CP	RF
4L	412T3210-51		ROD ASSY- (FOR DETAILS SEE FIG. 4)	CQ	RF
-4M	412T2052-36		ROD ASSY-CTR STOWAGE SPRT	CR	RF
-4N	412T2052-37		ROD ASSY-CTR STOWAGE SPRT	CS	RF
-4P	417T2052-38		DELETED		
-4Q	417T2052-39		DELETED		
-4R	417T2052-40		DELETED		
-4S	417T2052-41		DELETED		
-4T	417T2052-42		DELETED		
-4U	417T2052-43		DELETED		
-4V	417T2052-44		DELETED		
-4W	417T2052-45		DELETED		
-4X	417T2052-46		DELETED		
-4Y	417T2052-47		DELETED		
-4Z	417T2052-48		DELETED		
5	AN316-5L		DELETED		
-5A	AN316-5L		DELETED		
-5B	NAS509L5		DELETED		
-5C	AN316-6L		DELETED		
-5D	AN316-6L		DELETED		
-5E	NAS509L6		DELETED		
-5F	412T3212-19		ROD ASSY-SPRT (FOR DETAILS SEE FIG. 3)	DE	RF
-5G	412T3210-72		ROD ASSY-SPRT (FOR DETAILS SEE FIG. 2)	DQ	RF
-5H	412T3210-73		ROD ASSY-SPRT (FOR DETAILS SEE FIG. 2)	DR	RF
-5J	412T3210-74		ROD ASSY-SPRT (FOR DETAILS SEE FIG. 2)	DS	RF
-5K	412T3210-75		ROD ASSY-SPRT (FOR DETAILS SEE FIG. 2)	DT	RF
-5L	412T2052-38		ROD ASSY-CTR STOWAGE SPRT	CT	RF
-5M	412T2052-39		ROD ASSY-CTR STOWAGE SPRT	CU	RF
-5N	412T2052-40		ROD ASSY-CTR STOWAGE SPRT	CV	RF
-5P	412T2052-41		ROD ASSY-CTR STOWAGE SPRT	CW	RF
-5Q	412T2052-42		ROD ASSY-CTR STOWAGE SPRT	CX	RF
-5R	412T2052-43		ROD ASSY-CTR STOWAGE SPRT	CY	RF

25-28-03

 ILLUSTRATED PARTS LIST
 01.1 Page 1024
 Jul 01/02

FIG. & ITEM	PART NO.	AIRLINE PART NUMBER	NOMENCLATURE 1234567	EFF CODE	QTY PER ASSY
01-					
-5S	412T2052-44		ROD ASSY-CTR STOWAGE SPRT	CZ	RF
-5T	412T2052-45		DELETED		
-5U	412T2052-46		ROD ASSY-CTR STOWAGE SPRT	DB	RF
-5V	412T2052-47		DELETED		
-5W	412T2052-48		ROD ASSY-CTR STOWAGE SPRT	DD	RF
-5X	412T2052-49		ROD ASSY-CTR STOWAGE SPRT (POST SB 767-25-0175)	DU	RF
-5Y	412T3210-77		ROD ASSY-SPRT (FOR DETAILS SEE FIG. 2)	DV	RF
-5Z	412T3210-78		ROD ASSY-SPRT (FOR DETAILS SEE FIG. 2)	DW	RF
-6	412T3210-80		ROD ASSY-SPRT (FOR DETAILS SEE FIG. 2)	DX	RF
-6A	412T3210-82		ROD ASSY-SPRT (FOR DETAILS SEE FIG. 2)	DY	RF
-6B	412T3210-81		DELETED		
-6C	412T3210-79		ROD ASSY-SPRT (FOR DETAILS SEE FIG. 2)	EA	RF
-6D	412T2052-50		ROD ASSY-SPRT	EB	RF
-6E	412T2052-51		ROD ASSY-SPRT	EC	RF
-6F	412T2052-52		ROD ASSY-SPRT	ED	RF
-6G	412T2052-53		ROD ASSY-SPRT	EE	RF
-6H	412T3210-64		ROD ASSY-SPRT (FOR DETAILS SEE FIG. 2)	DA	RF
-6J	412T3210-83		ROD ASSY-SPRT (FOR DETAILS SEE FIG. 2)	DZ	RF
-6K	412T3210-84		ROD ASSY-SPRT (FOR DETAILS SEE FIG. 2)	BG	RF
-6L	412T3212-20		ROD ASSY-SPRT (FOR DETAILS SEE FIG. 3)	BK	RF
R -6M	412T2052-56		ROD ASSY-CTR STOWAGE SPRT	EF	RF
R -6N	412T2052-57		ROD ASSY-CTR STOWAGE SPRT	W	RF
R -6P	412T2052-58		ROD ASSY-CTR STOWAGE	E	RF
9	AN316-5L		.NUT- (OPT ITEM 9B)	A-D,N	1
-9A	AN316-5L		.NUT	E,H,K ,M,S, T,V,W ,BU,C C,CD CR,C U-CX, DD,DU ,EB-E F	1

25-28-03

FIG. & ITEM	PART NO.	AIRLINE PART NUMBER	NOMENCLATURE 1234567	EFF CODE	QTY PER ASSY
01- -9B	NAS509L5		.NUT- (OPT ITEM 9)	A-D,N	1
-9C	AN316-6L		.NUT- (OPT ITEM 9E)	F,G, P-R	1
-9D	AN316-6L		.NUT	J,L,U ,BT,B V,BW, CS,CT ,CY CZ,DB	1
-9E	NAS509L6		.NUT- (OPT ITEM 9C)	F,G, P-R	1
10	AN316-5R		.NUT- (OPT ITEM 10B)	A-D,N	1
-10A	AN316-5R		.NUT	E,K,M ,S,T, V,W,B U,CC, CD CR,C U-CX, DD,DU ,EB-E F	1
-10B	NAS509-5		.NUT- (OPT ITEM 10)	A-D,N	1
-10C	AN316-6R		.NUT- (OPT ITEM 10E)	F,G, P-R	1
-10D	AN316-6R		.NUT	J,L,U ,BT,B V,BW, CS,CT ,CY CZ,DB	1
-10E	NAS509-6		.NUT- (OPT ITEM 10C)	F,G, P-R	1
15	412T2051-1		.ROD END ASSY	A-D,N ,T,BU ,CC	1
-15A	412T2051-3		.ROD END ASSY	F,G,J ,L, P-R,U ,BT,B V,BW	1

25-28-03

 ILLUSTRATED PARTS LIST
 01.1 Page 1026
 Jul 01/02

412T2052
412T3210
412T3212

BOEING
COMPONENT
MAINTENANCE MANUAL

FIG. & ITEM	PART NO.	AIRLINE PART NUMBER	NOMENCLATURE 1234567	EFF CODE	QTY PER ASSY
01-20	412T2050-1		..BALL	A-D,N ,T,BU ,CC	1
-20A	412T2050-2		..BALL	F,G,J ,L, P-R,U ,BT,B V,BW	1
25	412T2051-7		..ROD END	A-D,N ,T,BU ,CC	1
-25A	412T2051-5		..ROD END	F,G,J ,L, P-R,U ,BT,B V,BW	1
R 30	ART64E132		.ROD END-BEARING (VS0352) (SPEC 10-60779-151L) (OPT DREMLH4-047 (V81376)) (OPT KBDEL4-32 (97613)) (OPT MSSLR45-14BAE (V73134)) (OPT NHNEL4-208 (V15860)) (OPT REML8ATC10-2 (V21335)) (OPT YTM124CL (V77896)) (OPT 67255 (V09455))	K,M,S ,V,CD ,DU,E F	1

25-28-03

ILLUSTRATED PARTS LIST
01.1 Page 1027
Jul 01/02

FIG. & ITEM	PART NO.	AIRLINE PART NUMBER	NOMENCLATURE 1234567	EFF CODE	QTY PER ASSY
01-35	ARTL4E135		DELETED		
-35A	S412T300-7L		DELETED		
-35B	S412T300-8L		DELETED		
-35C	S412T300-6L		DELETED		
35D	KBDEL4-43		.ROD END- (V97613) (SPEC 10-60779-174L) (OPT DREMLH4-279 (V81376)) (OPT ARTL4E135 (V50294)) (OPT MSSKLR45-14BAJ (V73134)) (OPT NHNEL4-212 (V15860)) (OPT REMSL8ATC10-5 (V21335)) (OPT YTM124ML (V77896)) (OPT 167131 (V09455))	H	1
-35E	RA90-10-2		.ROD END- (V76005) (SPEC S412T300-7L)	E,CR, CU,CW	1
-35F	RA90-12-2		.ROD END- (V76005) (SPEC S412T300-8L)	CS,CT ,CY,C Z,DB	1
-35G	RA80-9-2		.ROD END- (V76005) (SPEC S412T300-6L)	CV,CX ,DD	1
R -35H	S412T300-10L		.ROD END	ED	1
-35J	S412T300-11L		DELETED		
R -35K	RA90-20-2		.ROD END- (V76005) (SPEC S412T300-11L)	EB,EC ,EE	1

25-28-03

 ILLUSTRATED PARTS LIST
 01.1 Page 1028
 Jul 01/02

412T2052
412T3210
412T3212

 **BOEING**
COMPONENT
MAINTENANCE MANUAL

FIG. & ITEM	PART NO.	AIRLINE PART NUMBER	NOMENCLATURE 1234567	EFF CODE	QTY PER ASSY
R 01- -35L	ASM4T29A		.ROD END- (V56644) (SPEC 10-60779-124) (OPT KBDE4-37 (V97613)) (OPT DREM4-292 (V81376)) (OPT MSSR45-14BAF (V73134)) (OPT NHNE4-205 (V15860)) (OPT REM8ATC10-6 (V21335)) (OPT YTM187 (V77896)) (OPT 177144 (V09455)) (OPT ART4E129 (V50294)) (OPT ASM4T29 (V56644)) (OPT 79E04-124 (V16746))	W	1
40	412T2051-2		.ROD END ASSY	A-D,N ,T,BU ,CC,C W,CX, EB-ED	1
-40A	412T2051-4		.ROD END ASSY	G,J,L ,P-R, U,BT, BV,BW ,CZ	1
45	412T2050-1		..BALL	A-D,N ,T,BU ,CC,C W,CX, EB-ED	1
-45A	412T2050-2		..BALL	G,J,L ,P-R, U,BT, BV,BW ,CZ	1

25-28-03

ILLUSTRATED PARTS LIST
01.1 Page 1029
Jul 01/02

FIG. & ITEM	PART NO.	AIRLINE PART NUMBER	NOMENCLATURE	EFF CODE	QTY PER ASSY
01-50	412T2051-8		..ROD END	A-D,N ,T,BU ,CC,C W,CX, EB-ED	1
-50A	412T2051-6		..ROD END	G,J,L ,P-R, U,BT, BV,BW ,CZ	1

25-28-03

 ILLUSTRATED PARTS LIST
 01.1 Page 1030
 Jul 01/02

FIG. & ITEM	PART NO.	AIRLINE PART NUMBER	NOMENCLATURE 1234567	EFF CODE	QTY PER ASSY
R 01-55	ARHT5E102		.ROD END- (VS0352) (SPEC 10-60779-112) (OPT DREM5-019 (V81376)) (OPT KBDE5-14 (97613)) (OPT MSSR56-14BAC (V73134)) (OPT NHNE5-202 (V15860)) (OPT REM10ATC12-2 (V21335)) (OPT TFM5C (V77896)) (OPT 77253 (V09455)) (OPT ADNE5-202 (V15860))	F	1
-55A	ART4E132		.BEARING- (V50294) (SPEC 10-60779-151) (OPT DREM4-047 (V81376)) (OPT KBDE4-32 (97613)) (OPT MSSK45-14BAE (V73134)) (OPT NHNE4-208 (V15860)) (OPT REM8ATC10-2 (V21335)) (OPT YTM124C (V77896)) (OPT 77255 (V09455))	K,M,S ,V,CD ,DU,E F	1
-55B	S412T300-7R		DELETED		
-55C	S412T300-8R		DELETED		
-55D	S412T300-6R		DELETED		

25-28-03

FIG. & ITEM	PART NO.	AIRLINE PART NUMBER	NOMENCLATURE 1234567	EFF CODE	QTY PER ASSY
R 01- -55E	RA90-10-1		.ROD END- (V76005) (SPEC S412T300-7R)	E,CR, CU	1
-55F	RA90-12-1		.ROD END- (V76005) (SPEC S412T300-8R)	CS,CT ,CY, DB	1
-55G	RA80-9-1		.ROD END- (V76005) (SPEC S412T300-6R)	CV,DD	1
R -55H -55J	S412T300-11R YTM187L		DELETED .ROD END-BEARING STRUT STOWAGE (V77896) (SPEC 10-60779-124L) (OPT 167144 (V09455)) (OPT ARTL4E129 (VS0352)) (OPT DREMLH4-292 (V81376)) (OPT KBDEL4-37 (V97613)) (OPT MSSLR45-14BAF (V73134)) (OPT NHNEL4-205 (V15860))	W	1
R -55K	RA90-20-1		.ROD END- (V76005) (SPEC S412T300-11R)	EE	1
60	412T2049-1		.COLLECTOR-MOISTURE	E,N,C R,EB, EE	1
-60A	412T2049-2		.COLLECTOR-MOISTURE	F,G,L ,P-R, CS,CT ,CY, DB	1
-60B	412T2049-3		.COLLECTOR-MOISTURE	A-D,B U,C U-CX, DD,EC ,ED	1
-60C	412T3115-2		.COLLECTOR-MOISTURE	J,K,M ,S,V, CD,CZ	1

25-28-03

 ILLUSTRATED PARTS LIST
 01.1 Page 1032
 Jul 01/02

FIG. & ITEM	PART NO.	AIRLINE PART NUMBER	NOMENCLATURE 1234567	EFF CODE	QTY PER ASSY
01- -60D	412T3115-5		.COLLECTOR-MOISTURE	H,DU, EF	1
65	412T2031-1		.ROD-TUBULAR	A,CU, EC	1
-65A	412T2031-2		.ROD-TUBULAR	B,BU, CV,ED	1
-65B	412T2031-3		.ROD-TUBULAR	C,CW	1
-65C	412T2031-4		.ROD-TUBULAR	D,CX	1
-65D	412T2031-12		DELETED		
-65E	412T2031-13		.ROD-TUBULAR	F	1
-65F	412T2031-14		.ROD-TUBULAR	G	1
-65G	412T2031-16		.ROD-TUBULAR	J,CZ	1
-65H	412T2031-17		.ROD-TUBULAR	L,DB	1
-65J	412T2031-18		.ROD-TUBULAR	M	1
-65K	412T2031-7		.ROD-TUBULAR	P,CY	1
-65L	412T2031-8		.ROD-TUBULAR (OPT ITEM 65Z)	Q,R,C S,CT	1
-65N	412T2031-5		.ROD-TUBULAR	N,CR	1
-65P	412T2031-21		DELETED		
-65Q	412T2031-22		.ROD-TUBULAR	T	1
-65R	412T2031-23		.ROD-TUBULAR	U	1
-65S	412T2031-24		.ROD-TUBULAR	V	1
-65T	412T2031-25		.ROD-TUBULAR	S	1
-65U	412T2031-26		.ROD-TUBULAR	BT	1
-65V	412T2031-27		.ROD-TUBULAR	BV	1
-65W	412T2031-28		.ROD-TUBULAR	BW	1
-65X	412T2031-29		.ROD-TUBULAR	CC	1
-65Y	412T2031-30		.ROD-TUBULAR	DD	1
-65Z	412T2031-31		.ROD-TUBULAR (OPT ITEM 65L)	Q,R,C S,CT	1

25-28-03

FIG. & ITEM	PART NO.	AIRLINE PART NUMBER	NOMENCLATURE 1234567	EFF CODE	QTY PER ASSY
R 01-					
-66	412T2031-33		.ROD-TUBULAR	E	1
70	412T3118-67		.ROD ASSY-TUBULAR	H	1
-70A	412T3118-76		.ROD ASSY-TUBULAR	K	1
-70B	412T3118-131		.ROD ASSY-TUBULAR	CD	1
-70C	412T3118-137		.ROD ASSY-TUBULAR	W,DU	1
-70D	412T3118-7		.ROD ASSY	EB,EE	1
R -70E	412T3118-167		.ROD ASSY-TUBULAR	EF	1
75	412T3116-5		..INSERT- (OPT ITEM 75A)	H,CD	1
-75A	412T3116-1		..INSERT- (OPT ITEM 75)	H,CD	1
R -75B	412T3116-13		..INSERT	EF	1
R -75C	412T3116-14		..INSERT	EF	1
-75D	412T3116-2		..INSERT- (OPT ITEM 90)	W,DU	1
-75E	412T3116-1		..INSERT- (OPT ITEM 90A)	K,EB, EE	1
77	412T3116-2		DELETED		
-77A	412T3116-14		DELETED		
-77B	412T3116-13		DELETED		
80	412T3116-6		..INSERT- (OPT ITEM 80A)	H,CD	1
-80A	412T3116-1		..INSERT- (OPT ITEM 80)	H,CD	1
-80B	412T3116-14		DELETED		
-80C	412T3116-2		..INSERT- (OPT ITEM 90)	W,DU	1
-80D	412T3116-1		..INSERT- (OPT ITEM 90A)	K,EB, EE	1

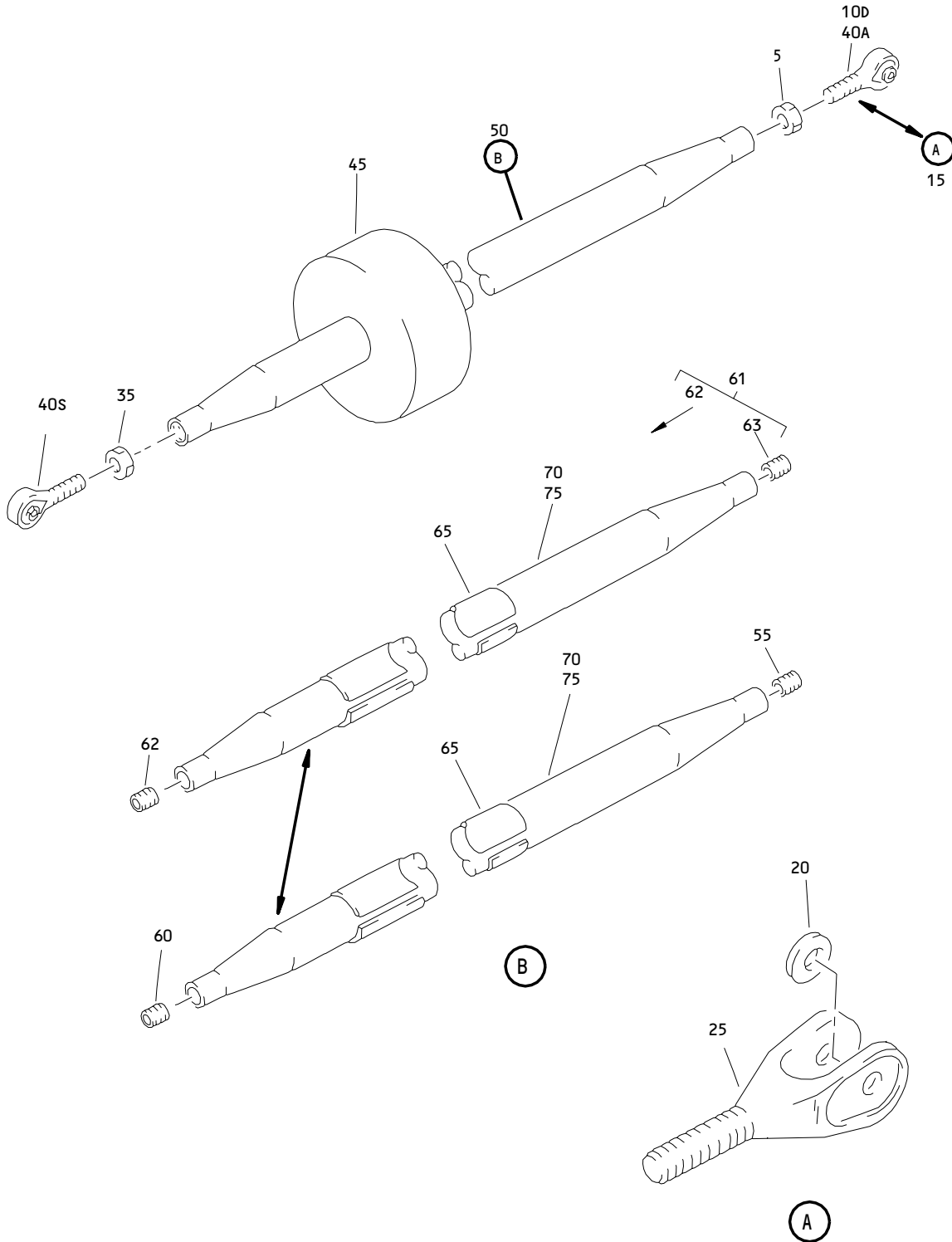
25-28-03

 ILLUSTRATED PARTS LIST
 01.1 Page 1034
 Jul 01/02

FIG. & ITEM	PART NO.	AIRLINE PART NUMBER	NOMENCLATURE 1234567	EFF CODE	QTY PER ASSY
01-					
85	412T3118-68		..TUBE	H	1
-85A	412T3118-77		..TUBE	K	1
-85B	412T3118-132		..ROD	CD	1
-85C	412T3118-138		..TUBE	W,DU	1
-85D	412T3118-8		..TUBE	EB,EE	1
R -85E	412T3118-168		..TUBE	EF	1
90	412T3118-162		..SUB KIT ASSY- (OPT ITEMS 75D, 80C)	W,DU	1
-90A	412T3118-163		..SUB KIT ASSY- (OPT ITEMS 75E, 80D)	K,EB, EE	1
95	412T3116-13		...INSERT	W,DU	1
-95A	412T3116-5		...INSERT	K,EB, EE	1
100	412T3116-14		...INSERT	W,DU	1
-100A	412T3116-6		...INSERT	K,EB, EE	1

- Item Not Illustrated

25-28-03



Support Rod Assembly
 Figure 2

25-28-03

ILLUSTRATED PARTS LIST
 01.1 Page 1036
 Jul 01/02

FIG. & ITEM	PART NO.	AIRLINE PART NUMBER	NOMENCLATURE 1234567	EFF CODE	QTY PER ASSY
02-					
-1	412T3210-1		ROD ASSY-SPRT	AA	RF
-1A	412T3210-3		ROD ASSY-SPRT	AB	RF
-1B	412T3210-4		ROD ASSY-SPRT	AC	RF
-1C	412T3210-5		ROD ASSY-SPRT	AD	RF
-1D	412T3210-6		ROD ASSY-SPRT	AE	RF
-1E	412T3210-9		ROD ASSY-SPRT	AF	RF
-1F	412T3210-10		ROD ASSY-SPRT	AG	RF
-1G	412T3210-14		ROD ASSY-SPRT	AH	RF
-1H	412T3210-15		ROD ASSY-SPRT	AJ	RF
-1J	412T3210-16		ROD ASSY-SPRT	AK	RF
-1K	412T3210-17		ROD ASSY-SPRT	AL	RF
-1L	412T3210-23		ROD ASSY-SPRT	AM	RF
-1M	412T3210-24		ROD ASSY-SPRT	AN	RF
-1N	412T3210-25		ROD ASSY-SPRT	AP	RF
-1P	412T3210-26		ROD ASSY-SPRT	AQ	RF
-1Q	412T3210-27		ROD ASSY-SPRT	AR	RF
-1R	412T3210-30		ROD ASSY-SPRT	AS	RF
-1S	412T3210-31		ROD ASSY-SPRT	AT	RF
-1T	412T3210-32		ROD ASSY-SPRT	AU	RF
-1U	412T3210-33		ROD ASSY-SPRT	AV	RF
-1V	412T3210-34		ROD ASSY-SPRT	AW	RF
-1W	412T3210-35		ROD ASSY-SPRT	AX	RF
-1X	412T3210-36		ROD ASSY-SPRT	AY	RF
-1Y	412T3210-37		ROD ASSY-SPRT	AZ	RF
-1Z	412T3210-38		ROD ASSY-SPRT	BA	RF
-2	412T3210-39		ROD ASSY-SPRT	BB	RF
-2A	412T3210-40		ROD ASSY-SPRT	BC	RF
-2B	412T3210-41		ROD ASSY-SPRT	BD	RF
-2C	412T3210-43		ROD ASSY-SPRT	BE	RF
-2D	412T3210-45		ROD ASSY-SPRT	BF	RF
-2E	412T3210-46		DELETED		
-2F	412T3210-47		ROD ASSY-SPRT	BH	RF
-2G	412T3210-48		ROD ASSY-SPRT	BJ	RF
-2H	412T3210-49		DELETED		
-2J	412T3210-50		ROD ASSY-SPRT	BL	RF
-2K	412T3210-51		DELETED		
-2L	412T3210-57		ROD ASSY-SPRT	BZ	RF
-2M	412T3210-58		ROD ASSY-SPRT	CA	RF
-2N	412T3210-59		ROD ASSY-SPRT	CB	RF
-2P	412T3210-54		ROD ASSY-SPRT	BX	RF
-2Q	412T3210-55		ROD ASSY-SPRT	BY	RF
-2R	412T3210-60		ROD ASSY-SPRT	CE	RF
-2S	412T3210-61		DELETED		
-2T	412T3210-63		ROD ASSY-SPRT	CG	RF
-2U	412T3210-65		ROD ASSY-SPRT	CH	RF

25-28-03

FIG. & ITEM	PART NO.	AIRLINE PART NUMBER	NOMENCLATURE 1234567	EFF CODE	QTY PER ASSY
02-					
-2V	412T3210-68		ROD ASSY-SPRT	CJ	RF
-2W	412T3210-69		ROD ASSY-SPRT	CK	RF
-2X	412T3210-53		ROD ASSY-SPRT	CL	RF
-2Y	412T3210-66		ROD ASSY-SPRT	CM	RF
-2Z	412T3210-70		ROD ASSY-SPRT	CN	RF
-3	412T3210-71		ROD ASSY-SPRT	CP	RF
-3A	412T3210-72		ROD ASSY-SPRT	DQ	RF
-3B	412T3210-73		ROD ASSY-SPRT	DR	RF
-3C	412T3210-74		ROD ASSY-SPRT	DS	RF
-3D	412T3210-74		DELETED		
-3E	412T3210-77		ROD ASSY-SPRT	DV	RF
-3F	412T3210-78		ROD ASSY-SPRT	DW	RF
-3G	412T3210-80		ROD ASSY-SPRT	DX	RF
-3H	412T3210-82		ROD ASSY-SPRT	DY	RF
-3J	412T3210-79		ROD ASSY-SPRT	EA	RF
-3K	412T3210-81		DELETED		
-3L	412T3210-64		ROD ASSY-SPRT	DA	RF
-3M	412T3210-75		ROD ASSY-SPRT	DT	RF
-3N	412T3210-83		ROD ASSY-SPRT	DZ	RF
-3P	412T3210-84		ROD ASSY-SPRT	BG	RF
5	AN316-5L		.NUT	AA-AF ,AH-A R,A U-BF, BH,BJ BL,CE ,CG-C P,DA, DS,D X-EA	1
-5A	AN316-6L		.NUT	AG,BZ	1
-5B	AN316-7L		.NUT	AS,AT ,BX,B Y,CA, CB,DV ,DW	1
-5C	AN316-8L		.NUT	BG,DT	1

25-28-03

 ILLUSTRATED PARTS LIST
 01.1 Page 1038
 Jul 01/02

412T2052
 412T3210
 412T3212

BOEING
 COMPONENT
 MAINTENANCE MANUAL

FIG. & ITEM	PART NO.	AIRLINE PART NUMBER	NOMENCLATURE 1234567	EFF CODE	QTY PER ASSY
02-					
10	ARTL4E135		DELETED		
-10A	10-60779-112L		DELETED		
-10B	ARHTL5E107		DELETED		
10C	10-60779-166L		DELETED		
-10D	10-60779-127L		.ROD END	BX	1
-10E	412T3114-5		.ROD END	CA, CB ,DV, D W	1
-10F	10-60779-112L		DELETED		
-10G	10-60779-152L		.ROD END	BY	1
-10H	10-60779-124L		DELETED		
-10J	KBDEL8-5		.ROD END-	BG, DT	1
			(V97613)		
			(SPEC 10-60779-106L)		
			(OPT 11-727-0500		
			(V09455))		
			(OPT ARTL8E106		
			(VS0352))		
			(DREMLH8-014		
			(V81376))		
			(MSSLR88-20BAC		
			(V73134))		
			(NHNEL8-201		
			(V15860))		
			(REML16ATC16		
			(V21335))		
			(YTM111L		
			(V77896))		
-10K	KBDEL4-43		.ROD END-	AA-AF	1
			(V97613)	,AH, A	
			(SPEC 10-60779-174L)	J, A	
			(OPT 167131	M-AR,	
			(V09455))	AU, AV	
			(OPT DREMLH4-279	AY-BF	
			(V81376))	,BH, B	
			(OPT ARTL4E135	J, BL,	
			(V50294))	CE, C	
			(OPT MSSKLR45-14BAJ	G-CL	
			(V73134))	CN, CP	
			(OPT NHNEL4-212	,DA, D	
			(V15860))	S, D	
			(OPT REMSL8ATC10-5	X-EA	
			(V21335))		
			(OPT YTM124ML		
			(V77896))		

25-28-03

ILLUSTRATED PARTS LIST
 01.1 Page 1039
 Jul 01/02

FIG. & ITEM	PART NO.	AIRLINE PART NUMBER	NOMENCLATURE 1234567	EFF CODE	QTY PER ASSY
02- -10L	KBDEL5-14		.ROD END- (V97613) (SPEC 10-60779-112L) (OPT REML10ATC12-2 (V21335)) (OPT TFM5CL (V77896)) (OPT DREMLH5-019 (V81376)) (OPT 67253 (V09455)) (OPT NHNEL5-202 (V15860)) (OPT MSSLR56-14BAC (V73134)) (OPT ARHTL5E102 (V50294)) (OPT ITEM 10M)	AG	1
-10M	KBDEL5-19		.ROD END- (V97613) (SPEC 10-60779-158L) (OPT 67261 (V09455)) (OPT DREMLH5-076 (V81376)) (OPT ARHTL5E107 (V50294)) (OPT MSSKLR56-14BAE (V73134)) (OPT NHNEL5-207 (V15860)) (OPT REMSL10ATC12 (V21335)) (OPT TFM105SL (V77896)) (OPT TFM105WL (V77896)) (OPT ITEM 10L)	AG	1

25-28-03

 ILLUSTRATED PARTS LIST
 01.1 Page 1040
 Jul 01/02

FIG. & ITEM	PART NO.	AIRLINE PART NUMBER	NOMENCLATURE 1234567	EFF CODE	QTY PER ASSY
02- -10N	KBDEL5-14		.ROD END- (V97613) (SPEC 10-60779-112L) (OPT REML10ATC12-2 (V21335)) (OPT TFM5CL (V77896)) (OPT DREMLH5-019 (V81376)) (OPT 67253 (V09455)) (OPT NHNEL5-202 (V15860)) (OPT MSSLR56-14BAC (V73134)) (OPT ARHTL5E102 (V50294))	BZ	1
-10P	YTM187L		.ROD END-BEARING STRUT STOWAGE (V77896) (SPEC 10-60779-124L) (OPT 167144 (V09455)) (OPT ARTL4E129 (VS0352)) (OPT DREMLH4-292 (V81376)) (OPT KBDEL4-37 (V97613)) (OPT MSSLR45-14BAF (V73134)) (OPT NHNEL4-205 (V15860)) (OPT REML8ATC10-6 (V21335))	CM	1
15	412T3114-1		.CLEVIS ASSY	AK,AL ,AW,A X	1
-15A 20	412T3114-3 BACB28X4C013		.CLEVIS ASSY ..BUSHING	AS,AT AK,AL ,AW,A X	1 1

25-28-03

FIG. & ITEM	PART NO.	AIRLINE PART NUMBER	NOMENCLATURE 1234567	EFF CODE	QTY PER ASSY
02-					
-20A	BACB28X5C014		..BUSHING	AS,AT	1
25	412T3114-2		..CLEVIS	AK,AL ,AW,A X	1
-25A	412T3114-4		..CLEVIS	AS,AT	1
35	AN316-5R		.NUT	AA-AF ,AH-A R,A U-BF, BJ,BL CE,CL G-CP, DA,DS ,DX- EA	1
-35A	AN316-6R		.NUT	AG,BZ	1
-35B	AN316-7R		.NUT	AS,AT ,BX,B Y,CA, CB,DV DW,DV	1
-35C	AN318-5R		DELETED		
-35D	AN316-8R		.NUT	BG,DT	1
40	ART4E135		DELETED		
R 40A	ARHT5E102		.ROD END- (VS0352) (SPEC 10-60779-112) (OPT 77253 (V09455)) (OPT DREM5-019 (V81376)) (OPT KBDE5-14 (V97613)) (OPT MSSR56-14BAC (V73134)) (OPT NHNE5-202 (V15860)) (OPT REM10ATC12-2 (V21335)) (OPT TFM5C (V77896)) (OPT ADNE5-202 (V15860)) (OPT ITEM 40B)	AG	1

25-28-03

 ILLUSTRATED PARTS LIST
 01.1 Page 1042
 Jul 01/02

 **BOEING**
COMPONENT
MAINTENANCE MANUAL

FIG. & ITEM	PART NO.	AIRLINE PART NUMBER	NOMENCLATURE 1234567	EFF CODE	QTY PER ASSY
02- -40B	ARHT5E107		.ROD END- (V50294) (SPEC 10-60779-158) (OPT 77261 (V09455)) (OPT DREM5-076 (V81376)) (OPT KBDE5-19 (V97613)) (OPT MSSKR56-14BAE (V73134)) (OPT REMS10ATC12 (V21335)) (OPT TFM105S (V77896)) (OPT TFM105W (V77896)) (OPT ITEM 40A)	AG	1
-40C	ARHT5E105		DELETED		
-40D	ART5EW109		DELETED		
-40E	10-60779-167		.ROD END	CA,CB ,DV,D W BZ	1
R -40F	ARHT5E102		.ROD END- (VS0352) (SPEC 10-60779-112) (OPT 77253 (V09455)) (OPT DREM5-019 (V81376)) (OPT KBDE5-14 (V97613)) (OPT MSSR56-14BAC (V73134)) (OPT NHNE5-202 (V15860)) (OPT REM10ATC12-2 (V21335)) (OPT TFM5C (V77896)) (OPT ADNE5-202 (V15860))		1
-40G	10-60779-152		DELETED		
-40H	ART4E129		DELETED		
-40J	KBDE4-37		DELETED		

25-28-03

FIG. & ITEM	PART NO.	AIRLINE PART NUMBER	NOMENCLATURE 1234567	EFF CODE	QTY PER ASSY
02- -40K	KBDE8-5		.ROD END- (V97613) (SPEC 10-60779-106) (OPT 01-727-0500 (V09455)) (ART8E106 (VS0352)) (DREM8-014 (V81376)) (MSSR88-20BAC (V73134)) (NHNE8-201 (V15860) (REM16ATC16 (V21335)) (YTM111 (V77896)) (OPT 01-041-0500 (V09455)) (OPT 79E08-106 (V16746)) (OPT ASM8T8 (V56644)) (OPT ADNE8-201 (V15860))	BG,DT	1
-40L	KBDE4-43		DELETED		
-40M	KBDE6-23		DELETED		

25-28-03

 ILLUSTRATED PARTS LIST
 01.1 Page 1044
 Jul 01/02

FIG. & ITEM	PART NO.	AIRLINE PART NUMBER	NOMENCLATURE 1234567	EFF CODE	QTY PER ASSY
R 02- -40N	ASM4T29A		.ROD END- (V56644) (SPEC 10-60779-124) (OPT 177144 (V09455)) (OPT DREM4-292 (V81376)) (OPT ART4E129 (V50294)) (OPT MSSR45-14BAF (V73134)) (OPT NHNE4-205 (V15860)) (OPT REM8ATC10-6 (V21335)) (OPT YTM187 (V77896)) (OPT KBDE4-37 (V97613)) (OPT ASM4T29 (V56644)) (OPT 79E04-124 (V16746))	CF,CM	1
-40P	KBNE5-51		.ROD END- (V97613) (SPEC 10-60779-127) (OPT 177326 (V09455)) (OPT DREM5-201 (V81376)) (OPT ARHT5E105 (VS0352)) (OPT MSSR57-14BAC (V73134)) (OPT NHNE5-205 (V15860)) (OPT REM10ATC14 (V21335)) (OPT YTM226 (V77896))	AS,AT ,BX	1
R 40Q -40R 40S	ASMK4T21 XEMRL635SA27 KBDE6-21		DELETED DELETED .ROD END- (V97613) (SPEC 10-60779-152)	BY	1

25-28-03

FIG. & ITEM	PART NO.	AIRLINE PART NUMBER	NOMENCLATURE	EFF CODE	QTY PER ASSY
02- -40T	ADNE8-201		.ROD END- (V15860) (SPEC 10-60779-106) (OPT 01-041-0500 (V09455)) (OPT 01-727-0500 (V09455)) (OPT 79E08-106 (V16746)) (OPT ART8E106 (VS0352)) (OPT ASM8T1 (V56644)) (OPT DREM8-014 (V81376)) (OPT KBDE8-5 (VS0352)) (OPT MSSR88-20BAC (V73134)) (OPT NHNE8-201 (V15860)) (OPT REM16ATC16 (V21335)) (OPT YTM111 (V77896))	BG,DT	1
R -40U	HB4ETL186		.BEARING- (V02758) (SPEC 10-60779-174) (OPT ASMK4T21 (V56644))	AA-AF ,AH-A R,A U-BF, BH,BJ BL,CE ,CG-C L,CN, CP,DA ,DS DX-EA	1
45	412T3115-1		.COLLECTOR-MOISTURE	AA-AF ,AH-A L,AW, AX,AZ BC,BF ,CH, DA,DS ,DX, EA	1

25-28-03

 ILLUSTRATED PARTS LIST
 01.1 Page 1046
 Jul 01/02

412T2052
412T3210
412T3212

 **BOEING**
COMPONENT
MAINTENANCE MANUAL

FIG. & ITEM	PART NO.	AIRLINE PART NUMBER	NOMENCLATURE 1234567	EFF CODE	QTY PER ASSY
02- -45A	412T3115-2		.COLLECTOR-MOISTURE	AG,AS ,AT,B H,BL, CA,CB ,CK CMK	1
-45B	412T3115-5		.COLLECTOR-MOISTURE	AM-AR ,AU,A V,AY, BA,BB ,BE BJ,B X-BZ, CE,C G-CJ, CN,DV DW,DY	1
-45C	412T3115-7		.COLLECTOR-MOISTURE	BD,CP	1
-45D	412T3115-8		.COLLECTOR-MOISTURE	BG,DT	1
50	412T3118-7		.ROD ASSY	AA	1
-50A	412T3118-11		.ROD ASSY	AB,AX	1
-50B	412T3118-13		.ROD ASSY	AC	1
-50C	412T3118-15		.ROD ASSY	AD	1
-50D	412T3118-17		.ROD ASSY	AE	1
-50E	412T3118-23		.ROD ASSY	AF	1
-50F	412T3118-5		.ROD ASSY	AG	1
-50G	412T3118-27		.ROD ASSY	AH	1
-50H	412T3118-29		.ROD ASSY	AJ,BD	1
-50J	412T3118-33		.ROD ASSY	AK,DA	1
-50K	412T3118-31		.ROD ASSY	AL,AZ	1
-50L	412T3118-53		.ROD ASSY	AM	1
-50M	412T3118-55		.ROD ASSY	AN	1
-50N	412T3118-57		.ROD ASSY	AP	1
-50P	412T3118-59		.ROD ASSY	AQ	1
-50Q	412T3118-61		.ROD ASSY	AR	1
-50R	412T3118-69		.ROD ASSY	AS	1
-50S	412T3118-70		.ROD ASSY	AT	1
-50T	412T3118-73		.ROD ASSY	AU	1
-50U	412T3118-75		.ROD ASSY	AV	1
-50V	412T3118-21		.ROD ASSY	AW	1
-50W	412T3118-78		.ROD ASSY	AY	1
-50X	412T3118-80		.ROD ASSY	BA	1
-50Y	412T3118-82		.ROD ASSY	BB	1
-50Z	412T3118-84		.ROD ASSY	BC	1
-51	412T3118-89		.ROD ASSY	BE	1

25-28-03

ILLUSTRATED PARTS LIST
01.1 Page 1047
Jul 01/02

FIG. & ITEM	PART NO.	AIRLINE PART NUMBER	NOMENCLATURE 1234567	EFF CODE	QTY PER ASSY
02-					
-51A	412T3118-93		.ROD ASSY	BF	1
-51B	412T3118-94		.ROD ASSY	BH	1
-51C	412T3118-99		.ROD ASSY	BJ	1
-51D	412T3118-97		DELETED		
-51E	412T3118-100		.ROD ASSY	BL	1
-51F	412T3118-102		DELETED		
-51G	412T3118-108		.ROD ASSY	BZ	1
-51H	412T3118-109		.ROD ASSY	CA	1
-51J	412T3118-112		.ROD ASSY	CB	1
-51K	412T3118-107		.ROD ASSY	BX, BY	1
-51L	412T3118-113		.ROD ASSY	CE	1
-51M	412T3118-115		DELETED		
-51N	412T3118-117		.ROD ASSY	CG	1
-51P	412T3118-121		.ROD ASSY	CH	1
-51Q	412T3118-125		.ROD ASSY	CJ	1
-51R	412T3118-127		.ROD ASSY	CK	1
-51S	412T3118-105		.ROD ASSY	CL	1
-51T	412T3118-123		.ROD ASSY	CM	1
-51U	412T3118-128		.ROD ASSY	CN	1
-51V	412T3118-133		.ROD ASSY	CP	1
-51W	412T3118-140		.ROD ASSY	DT	1
-51X	412T3118-136		.ROD ASSY	DS	1
-51Y	412T3118-143		.ROD ASSY	DV	1
-51Z	412T3118-142		.ROD ASSY	DW	1
-52	412T3118-148		.ROD ASSY	DX	1
-52A	412T3118-150		.ROD ASSY	DY	1
-52B	412T3118-86		DELETED		
-52C	412T3118-147		.ROD ASSY	EA	1
-52D	412T3118-155		.ROD ASSY	DZ	1
-52E	412T3118-158		.ROD ASSY	BG	1

25-28-03

 ILLUSTRATED PARTS LIST
 01.1 Page 1048
 Jul 01/02

412T2052
 412T3210
 412T3212

 **BOEING**
 COMPONENT
 MAINTENANCE MANUAL

FIG. & ITEM	PART NO.	AIRLINE PART NUMBER	NOMENCLATURE	EFF CODE	QTY PER ASSY
02-55	412T3116-1		1234567 ..INSERT- (OPT ITEM 55A)	AJ,AK ,AM-A P,AU, AV,BA ,BB CE,CH ,CJ,C L,CM, CP,DX ,DY EAY	1
-55A	412T3116-5		..INSERT- (OPT ITEM 55)	AJ,AK ,AM-A P,AU, AV,BA ,BB CE,CH ,CJ,C L,CM,	1

25-28-03

ILLUSTRATED PARTS LIST
 01.1 Page 1049
 Jul 01/02

FIG. & ITEM	PART NO.	AIRLINE PART NUMBER	NOMENCLATURE 1234567	EFF CODE	QTY PER ASSY
02-				CP,DX ,DY EAY AG,BZ	1
-55B	412T3116-2		..INSERT- (OPT ITEM 61)		
-55C	412T3116-7		DELETED		
-55D	412T3116-3		..INSERT- (OPT ITEM 55E)	CA,CB	1
-55E	412T3116-9		..INSERT- (OPT ITEM 55D)	CA,CB	1
-55F	412T3116-11		..INSERT	BG,DT	1
-55G	412T3116-1		..INSERT- (OPT ITEM 61A)	AA-AF ,AH-A L,AQ, AR,A W-AZ BC-BF ,BH,B J,BL, CG,CK ,CN DA,DS ,DZ	1
-55H	412T3116-3		..INSERT- (OPT ITEM 61B)	AS,AT ,BX,B Y,DV, DW	2

25-28-03

ILLUSTRATED PARTS LIST
 01.1 Page 1050
 Jul 01/02

412T2052
 412T3210
 412T3212

 **BOEING**
 COMPONENT
 MAINTENANCE MANUAL

FIG. & ITEM	PART NO.	AIRLINE PART NUMBER	NOMENCLATURE	EFF CODE	QTY PER ASSY
02-60	412T3116-1		1234567 ..INSERT- (OPT ITEM 60A)	AJ,AK ,AM-A P,AU, AV,BA ,BB CE,CH ,CJ,C L,CM, CP,DX ,DY EAY	1
-60A	412T3116-6		..INSERT- (OPT ITEM 60)	AJ,AK ,AM-A P,AU, AV,BA ,BB CE,CH ,CJ,C L,CM, CP,DX ,DY EAY	1

25-28-03

ILLUSTRATED PARTS LIST
 01.1 Page 1051
 Jul 01/02

FIG. & ITEM	PART NO.	AIRLINE PART NUMBER	NOMENCLATURE 1234567	EFF CODE	QTY PER ASSY
02- -60B	412T3116-2		..INSERT- (OPT ITEM 61)	AG,BZ	1
-60C	412T3116-8		DELETED		
-60D	412T3116-3		..INSERT- (OPT ITEM 60E)	CA,CB	1
-60E	412T3116-10		..INSERT- (OPT ITEM 60D)	AS,AT ,BX,B Y,CA, CB,DV ,DW	1
-60F	412T3116-1		..INSERT- (OPT ITEM 61A)	AA-AF ,AH-A L,AQ, AR,A W-AZ BC-BF ,BH,B J,BL, CG,CK ,CN DA,DS ,DZ	1
-60G	412T3116-5		DELETED		
-60H	412T3116-6		DELETED		
-60J	412T3116-12		..INSERT	BG,DT	1
-60L	412T3116-3		..INSERT- (OPT ITEM 61B)	AS,AT ,BX,B Y,DV, DW	1

25-28-03

 ILLUSTRATED PARTS LIST
 01.1 Page 1052
 Jul 01/02

412T2052
 412T3210
 412T3212

 **BOEING**
 COMPONENT
 MAINTENANCE MANUAL

FIG. & ITEM	PART NO.	AIRLINE PART NUMBER	NOMENCLATURE 1234567	EFF CODE	QTY PER ASSY
02-61	412T3118-161		..SUB KIT ASSY- (OPT ITEMS 55B, 60B)	AG,BZ	1
-61A	412T3118-163		..SUB KIT ASSY- (OPT ITEMS 55G, 60F)	AA-AF ,AH-A ,L,AQ, ,AR,A ,W-AZ ,BC-BF ,BH,B ,J,BL, ,CG,CK ,CN ,DA,DS ,DZ	1
-61B	412T3118-164		..SUB KIT ASSY- (OPT ITEMS 55H, 60L)	AS,AT ,BX,B ,Y,DV, ,DW	1
62	412T3116-7		...INSERT	AG,BZ	1
63	412T3116-8		...INSERT	AG,BZ	1
65	412T3118-4		..SLEEVE	AS,CB	1
65A	412T3118-145		..SLEEVE	DV	1
70	412T3118-8		..TUBE	AA	1

25-28-03

ILLUSTRATED PARTS LIST
 01.1 Page 1053
 Jul 01/02

FIG. & ITEM	PART NO.	AIRLINE PART NUMBER	NOMENCLATURE 1234567	EFF CODE	QTY PER ASSY
02-					
-70A	412T3118-12		..TUBE	AB,AX	1
-70B	412T3118-14		..TUBE	AC	1
-70C	412T3118-16		..TUBE	AD	1
-70D	412T3118-18		..TUBE	AE	1
-70E	412T3118-24		..TUBE	AF	1
-70F	412T3118-6		..TUBE	AG	1
-70G	412T3118-28		..TUBE	AH	1
-70H	412T3118-30		..TUBE	AJ,BD	1
-70J	412T3118-34		..TUBE	AK,DA	1
-70K	412T3118-32		..TUBE	AL,AZ	1
-70L	412T3118-54		..TUBE	AM	1
-70M	412T3118-56		..TUBE	AN	1
-70N	412T3118-58		..TUBE	AP	1
-70P	412T3118-60		..TUBE	AQ	1
-70Q	412T3118-62		..TUBE	AR	1
-70R	412T3118-71		..TUBE	AS,AT	1
-70S	412T3118-72		..ROD	AU	1
-70T	412T3118-74		..ROD	AV	1
-70U	412T3118-22		..TUBE	AW	1
-70V	412T3118-79		..ROD	AY	1
-70W	412T3118-81		..ROD	BA	1
-70X	412T3118-83		..ROD	BB	1
-70Y	412T3118-85		..TUBE	BC	1
-70Z	412T3118-88		..TUBE	BE	1
-71	412T3118-92		..TUBE	BF	1
-71A	412T3118-95		..TUBE	BH	1
-71B	412T3118-98		..TUBE	BJ	1
-71C	412T3118-96		DELETED		
-71D	412T3118-101		..TUBE	BL	1
-71E	412T3118-103		DELETED		
-71F	412T3118-110		..TUBE	BZ	1
-71G	412T3118-111		..TUBE	CA,CB	1
-71H	412T3118-106		..TUBE	BX,BY	1
-71J	412T3118-114		..TUBE	CE	1
-71K	412T3118-116		DELETED		
-71L	412T3118-118		..TUBE	CG	1
-71M	412T3118-122		..TUBE	CH	1
-71N	412T3118-126		..TUBE	CJ	1
-71P	412T3118-104		..TUBE	CL	1
-71Q	412T3118-124		..TUBE	CM	1

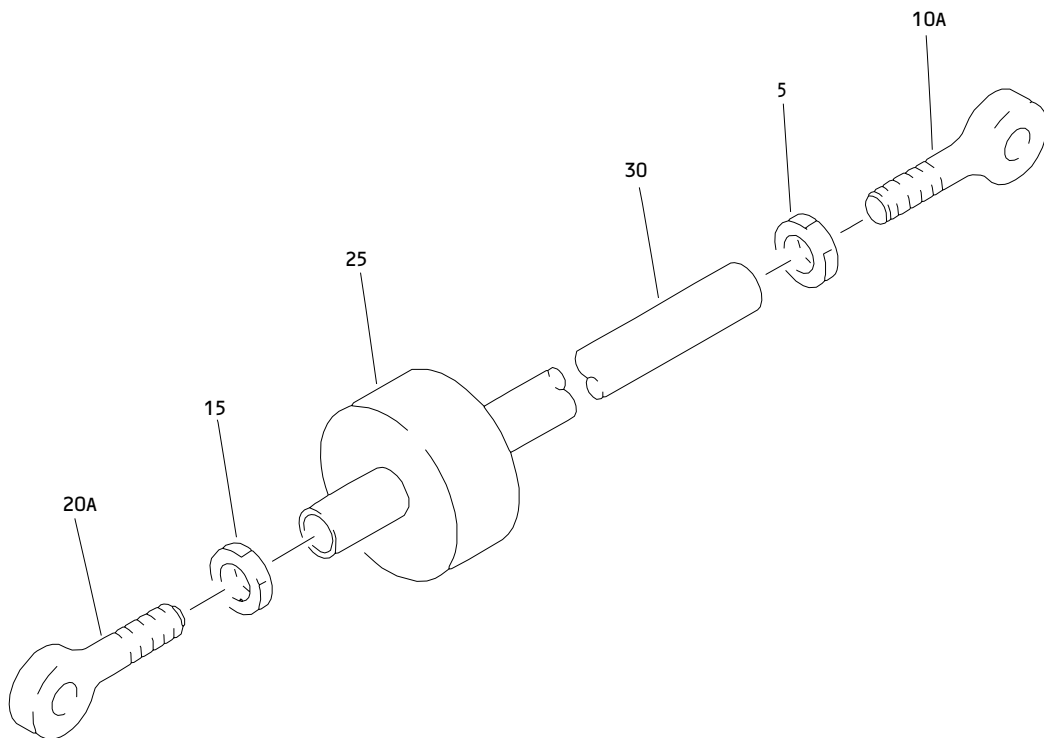
25-28-03

 ILLUSTRATED PARTS LIST
 01.1 Page 1054
 Jul 01/02

FIG. & ITEM	PART NO.	AIRLINE PART NUMBER	NOMENCLATURE 1234567	EFF CODE	QTY PER ASSY
02-					
-71R	412T3118-130		..TUBE	CN	1
-71S	412T3118-134		..TUBE	CP	1
-71T	412T3118-139		..TUBE	DT	1
-71U	412T3118-144		..TUBE	DV,DW	1
-71V	412T3118-149		..TUBE	DX	1
-71W	412T3118-151		..TUBE	DY	1
-71X	412T3118-87		DELETED		
-71Y	412T3118-146		..TUBE	EA	1
-71Z	412T3118-135		..TUBE	DS	1
-72	412T3118-157		..TUBE	BG	1
75	1042-19		.ROD-TIE (V34742)	DR	1
-75A	1280-17		.ROD-TIE (V34742)	DQ	1

- Item Not Illustrated

25-28-03



Support Rod Assembly
Figure 3

25-28-03

ILLUSTRATED PARTS LIST
01.1 Page 1056
Jul 01/02

FIG. & ITEM	PART NO.	AIRLINE PART NUMBER	NOMENCLATURE 1234567	EFF CODE	QTY PER ASSY
03-					
-1	412T3212-1		ROD ASSY-SPRT	BM	RF
-1A	412T3212-2		ROD ASSY-SPRT	BN	RF
-1B	412T3212-3		ROD ASSY-SPRT	BP	RF
-1C	412T3212-4		ROD ASSY-SPRT	BQ	RF
-1D	412T3212-14		ROD ASSY-SPRT	BR	RF
-1E	412T3212-18		ROD ASSY-SPRT	BS	RF
-1F	412T3212-19		ROD ASSY-SPRT	DE	RF
-1G	412T3212-20		ROD ASSY-SPRT	BK	RF
5	AN316-5L		.NUT	BK,B M-BS, DE	1
10	ARTL4E135		DELETED		
10A	KBDEL4-43		.ROD END- (V97613) (SPEC 10-60779-174L) (OPT 167131 (V09455)) (OPT DREMLH4-279 (V81376)) (OPT ARTL4E135 (V50294)) (OPT MSSKLR45-14BAJ (V73134)) (OPT NHNEL4-212 (V15860)) (OPT REMSL8ATC10-5 (V21335)) (OPT YTM124ML (V77896))	BK,B M-BS, DE	1
15	AN316-5R		.NUT	BK,B M-BS, DE	1
20	ART4E135		DELETED		
20A	ASMK4T21		DELETED		

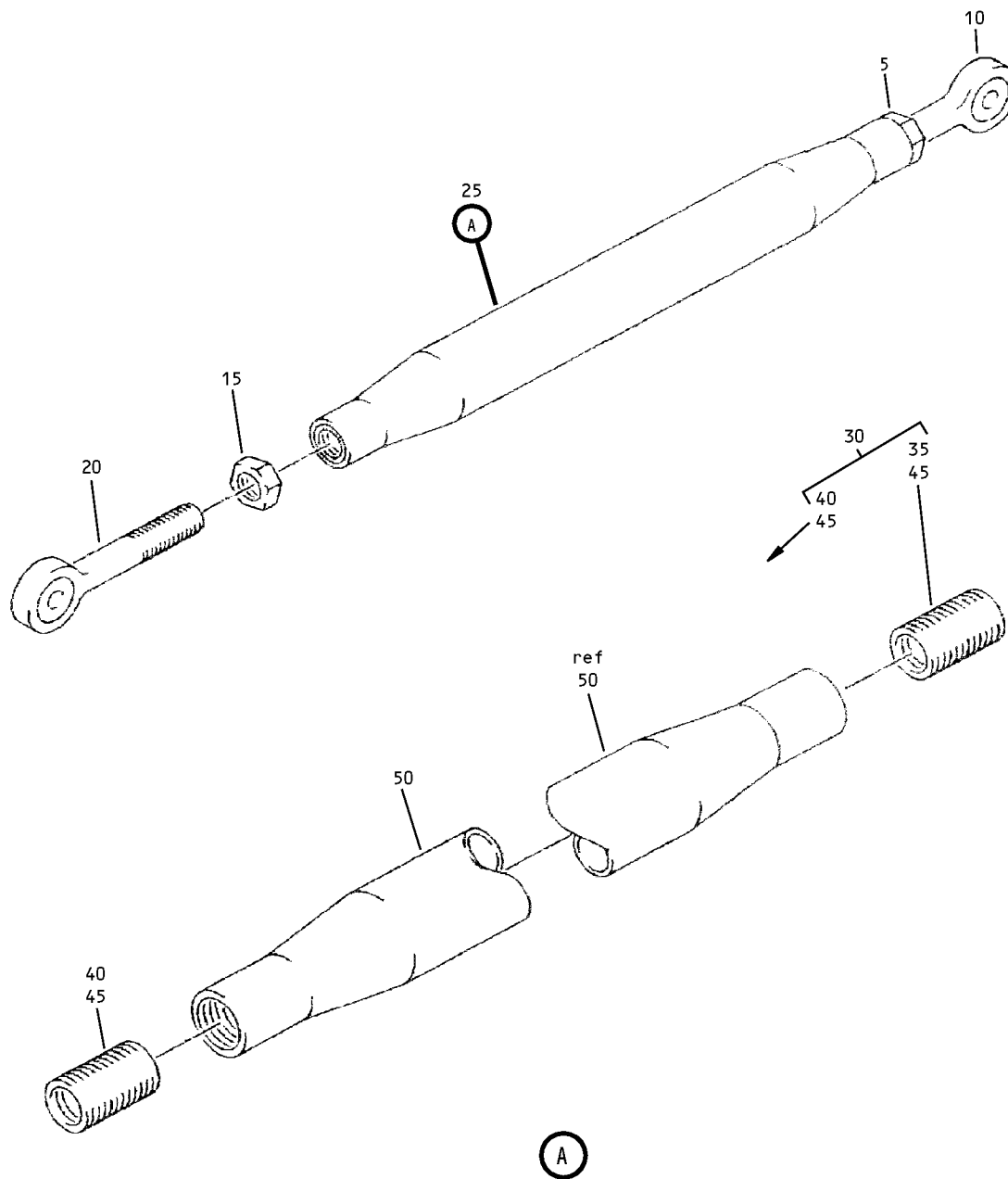
25-28-03

FIG. & ITEM	PART NO.	AIRLINE PART NUMBER	NOMENCLATURE 1234567	EFF CODE	QTY PER ASSY
R 03-20B	HB4ETL186		.BEARING- (V02758) (SPEC 10-60779-174) (OPT ASMK4T21 (V56644))	BK,B M-BS, DE	1
25	412T3115-3		.COLLECTOR-MOISTURE	BK,B M-BS, DE	1
30	412T3113-1		.TUBE- (OPT ITEM 30A)	BM	1
-30A	412T3113-5		.TUBE- (OPT ITEM 30)	BM	1
-30B	412T3113-2		.TUBE	BN	1
-30C	412T3113-3		.TUBE	BP	1
-30D	412T3113-4		.TUBE	BQ	1
-30E	412T3113-6		.TUBE	BR	1
-30F	412T3113-8		.TUBE	BS	1
-30G	412T3113-9		.TUBE	DE	1
-30H	412T3113-5		.TUBE	BK	1

- Item Not Illustrated

25-28-03

 ILLUSTRATED PARTS LIST
 01.1 Page 1058
 Jul 01/02



Support Rod Assembly
Figure 4

25-28-03

ILLUSTRATED PARTS LIST
01.1 Page 1060
Jul 01/02

412T2052
412T3210
412T3212

 **BOEING**
COMPONENT
MAINTENANCE MANUAL

FIG. & ITEM	PART NO.	AIRLINE PART NUMBER	NOMENCLATURE 1234567	EFF CODE	QTY PER ASSY
04-					
1A	412T3210-51		ROD ASSY-SPRT	CQ	RF
5	AN316-5L		.NUT	CQ	1
10	10-60779-166L		.ROD END	CQ	1
15	AN316-5R		.NUT	CQ	1
20	ART5EW109		.ROD END- (V50294) (SPEC 10-60779-166) (OPT 01-728-0312 (V09455)) (OPT ASMK5T17 (V56644)) (OPT DREM5-077 (V81376)) (OPT KBDE5-20 (V97613)) (OPT MSSKR55-14BAC (V73134)) (OPT NHNE5-209 (V15860)) (OPT REMS10ATC10-2 (V21335)) (OPT TFM105C (V77896))	CQ	1
25	412T3118-102		.ROD ASSY	CQ	1
30	412T3118-159		..KIT ASSY-SUB (OPT ITEM 30A)	CQ	1
-30A	412T3118-160		..KIT ASSY-SUB (OPT ITEM 30)	CQ	1
35	412T3116-5		...INSERT- (USED ON ITEM 30)	CQ	1
40	412T3116-6		...INSERT- (USED ON ITEM 30)	CQ	1
45	412T3116-1		...INSERT- (USED ON ITEM 30A)	CQ	2

25-28-03

ILLUSTRATED PARTS LIST
01.1 Page 1061
Jul 01/02

FIG. & ITEM	PART NO.	AIRLINE PART NUMBER	NOMENCLATURE	EFF CODE	QTY PER ASSY
04- 50	412T3118-103		1234567 ..TUBE	CQ	1

- Item Not Illustrated

25-28-03